

flow

PLUMBING IMPORTS LTD



GEBERIT

hansgrohe



24A Morrin Rd, Panmure, Auckland, New Zealand.
PO Box 14063, Panmure, Auckland 1741.
Ph:(09) 527 0037

0800 Hansgrohe

www.flowimports.co.nz

NEW

McALPINE

Plumbing Products

Product Code: WV-1-A

McAlpine Diaphragm Trap.

See Page 4



Product Code: WC-CON7A

14° Angle Rigid WC Connector.

See Page 4

Product Code: MINIFLEX-5

Any Angle Elbow.

See Page 12



THE MARKET LEADER IN QUALITY PLUMBING PRODUCTS

"McAlpine, the plumber's first choice!"



#MCALPINEPLUMBING YouTube

McAlpine

Traps	1-3
Pan Connectors	5-8
Accessories	9-15
Wastes	16-19
Shower Wastes	20-21
Urinal Trap	22
Concealed Cisterns	22
Waste Disposal	23-24

VA Albertoni **25-26**

Hansgrohe **27-28**

Geberit Concealed Cisterns **29-30**

Geberit Spare Parts

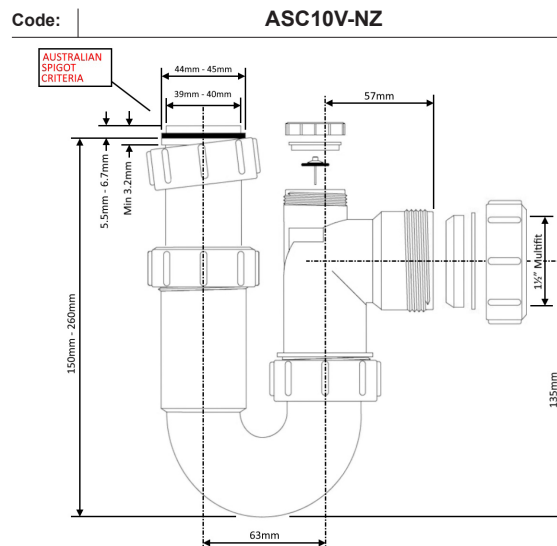
Inlet Valve	31-32
Outlet Valve	33

WISA Spare Parts **34**

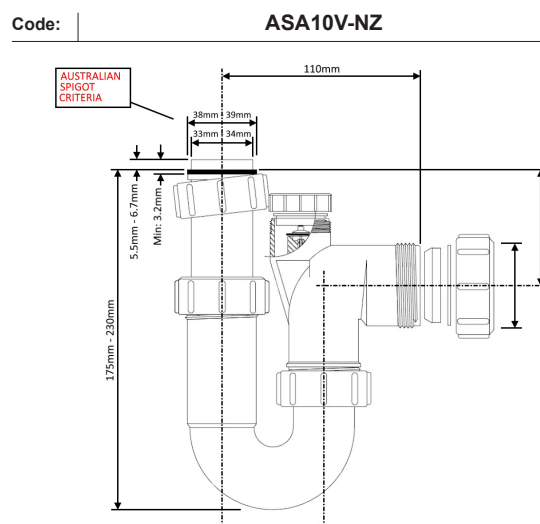
Traps



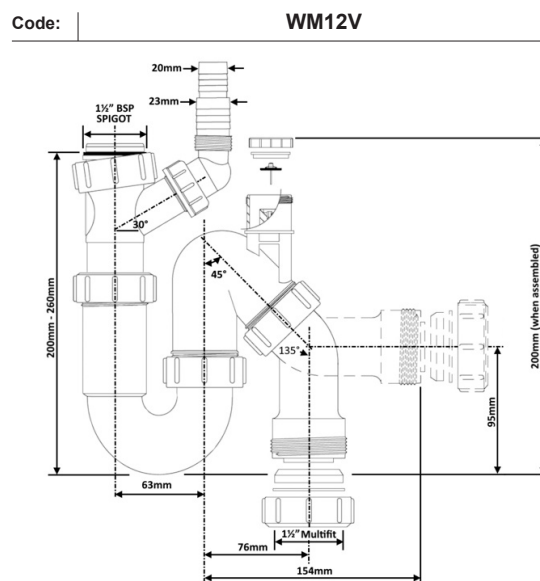
ASC10V-NZ
40mm telescopic vented P trap



ASA10V-NZ
32mm telescopic vented P trap



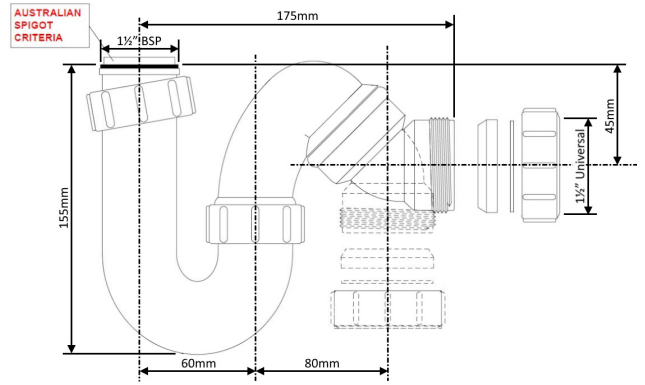
WM12V
40mm telescopic vented sup inlet S/P trap





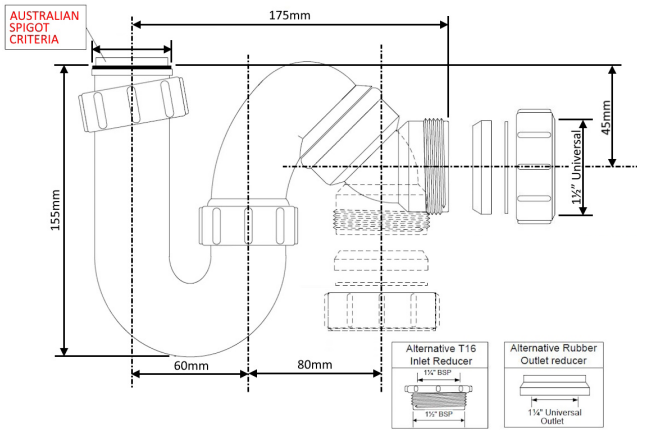
FLOW1-NZ
40mm compact S/P trap

Code: **FLOW1-NZ**



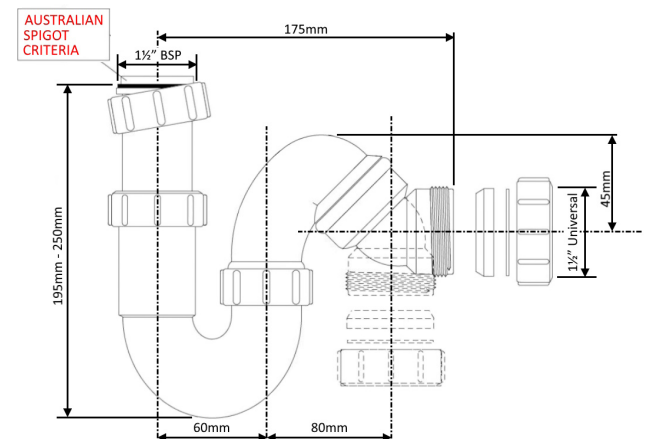
FLOW1B-NZ
40mm compact S/P trap +
32x40 inlet bush & outlet
rubber reducer

Code: **FLOW1B-NZ**



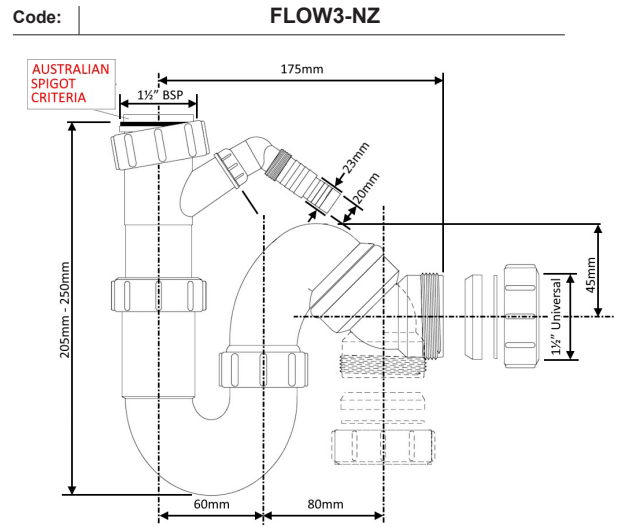
FLOW2-NZ
40mm telescopic compact
S/P trap

Code: **FLOW2-NZ**

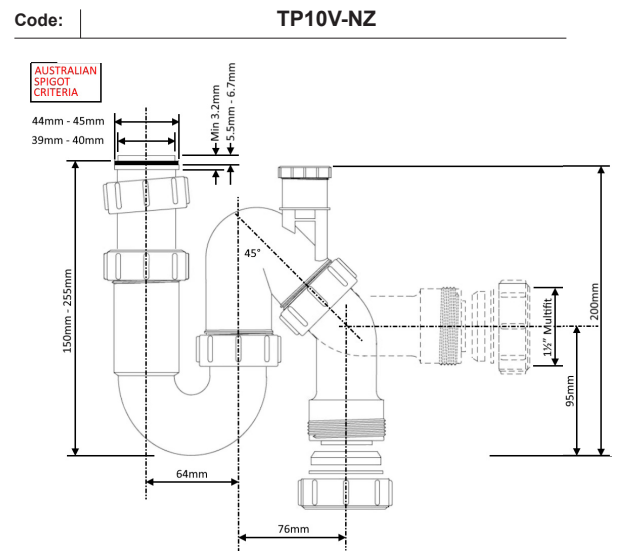




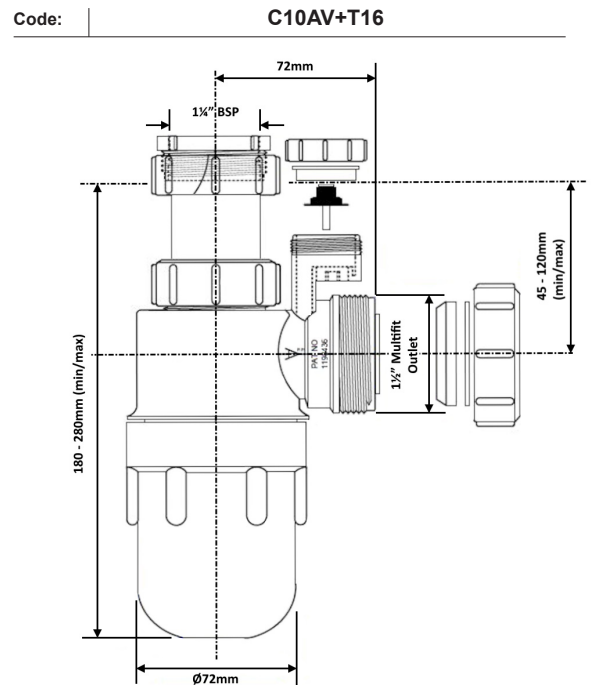
FLOW3-NZ
40mm telescopic sup inlet compact S/P trap



TP10V-NZ
40mm telescopic S-P trap - vented



C10AV+T16
40mm telescopic vented bottle trap



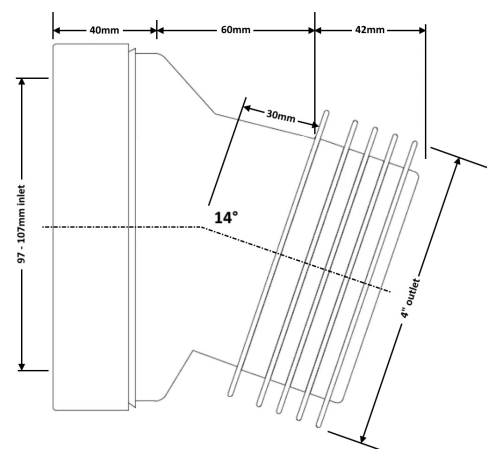


WV-1-A McAlpine Diaphragm elbow trap

- WV-1-A Basin and bath trap 40mm female inlet nut and a 40mm compression outlet to 40mm PVC pipe.
- For 1¼" wastes use a McAlpine T16 bush 32 x 40mm
- Designed to allow full use of storage space below the basin within the vanity cabinet.
- The internal membrane opens under water pressure to allow discharge to flow freely and closes to form a complete seal.
- This valve allows air to be drawn into the discharge pipe when negative pressures occur and eliminates the need for secondary ventilation of the pipework.
- The diaphragm can easily be cleaned and will never dry out through lack of use.
- Manufactured in Glasgow, Scotland, UK.
- McAlpine Plumbing Products have a NZ patent on this L shaped diaphragm trap.
- Length 185mm x Depth 68mm.
(not intended for use in kitchen)



Code: **WC-CON7A**



WC-CON7A 14-degree pan connector

97-107mm Inlet x 4"/110mm Outlet 14° Angle Rigid WC Connector

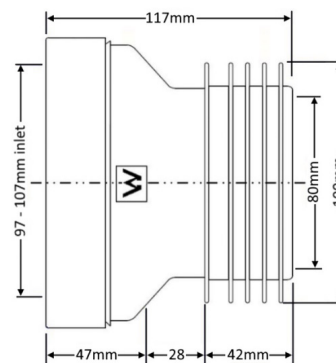
- Outlet fits 4"/110mm inside diameter of PVC-U and cast iron soil pipe.
- 97-107mm Inlet suits all pan spigots.
- For connecting straight pan spigot to an angled (14°) soil pipe.
- Manufactured in Polypropylene.

Pan Connectors



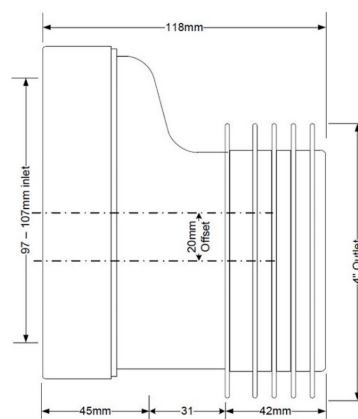
WC-CON1-NZ
100mm pan connector (80mm int)

Code: **WC-CON1-NZ**



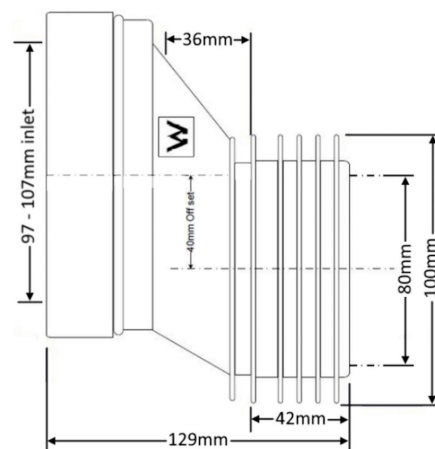
WC-CON4-NZ
100mm pan connector (80mm int)
20mm offset

Code: **WC-CON4-NZ**



WC-CON4A-NZ
100mm pan connector
40mm offset

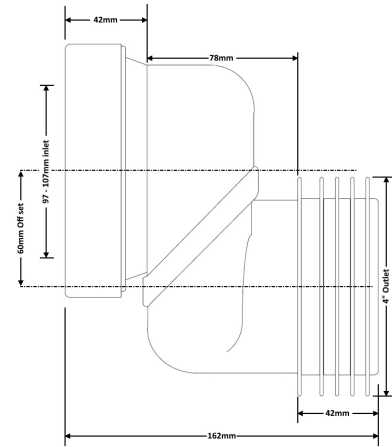
Code: **WC-CON4A-NZ**





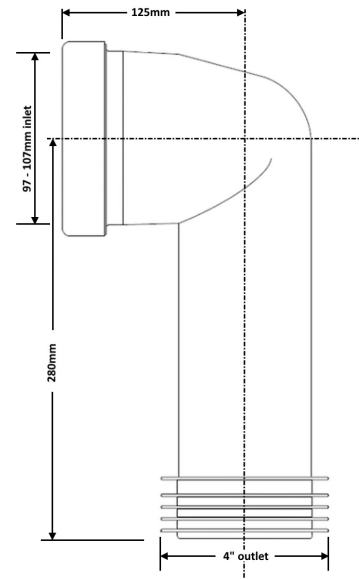
WCLO-6
100mm pan connector
60mm offset

Code: **WCLO-6**



WC-CON8E
100mm 90° pan connector

Code: **WC-CON8E**



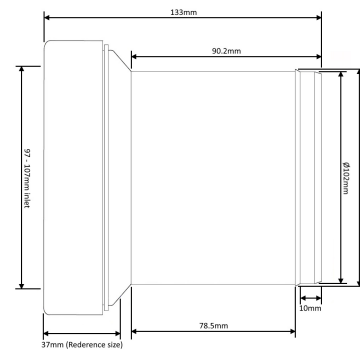
WC-CON-EXT
WC Connector Extension for use
with any WC pan Connector

WC-CON-EXT

WC-CON-EXT
In combination with
WC-CON8E
(Sold Separately)



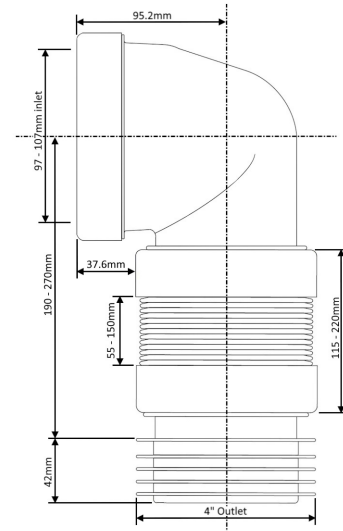
Code: **WC-CON-EXT**





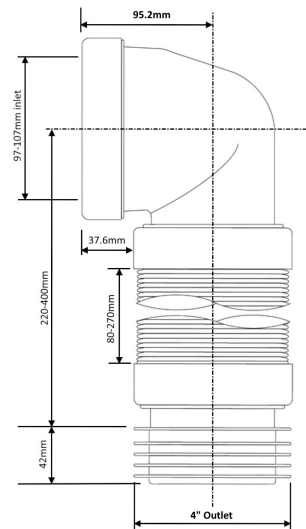
WC-CON8F18
100mm 90° flexi pan connector

Code: **WC-CON8F18**



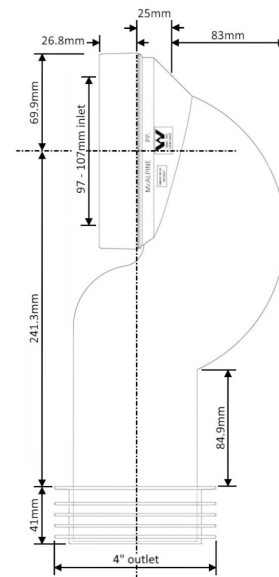
WC-CON8F
WC 90 degree Flexi Pan Connector 415mm long

Code: **WC-CON8F**



WC-CONQ
100mm 90° goose neck pan con

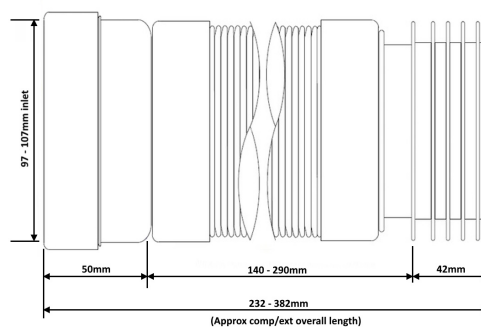
Code: **WC-CONQ**





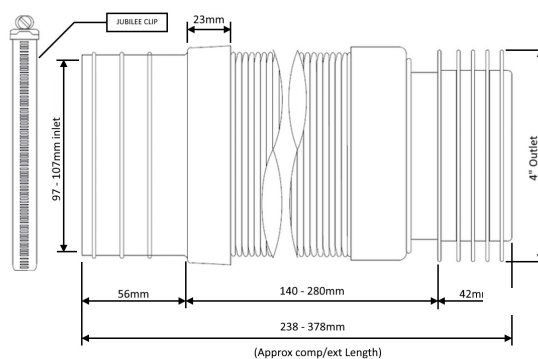
WC-F23R
WC 100mm Flexi Pan
Connector push 150/340mm long

Code: **WC-F23R**



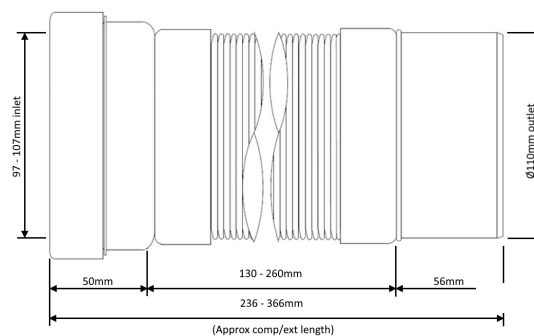
WC-F21R
WC 100mm Flexi Pan
Connector hose clip attachment

Code: **WC-F21R**



WC-F23P
WC 100mm Flexi Pan
Connector spigot end

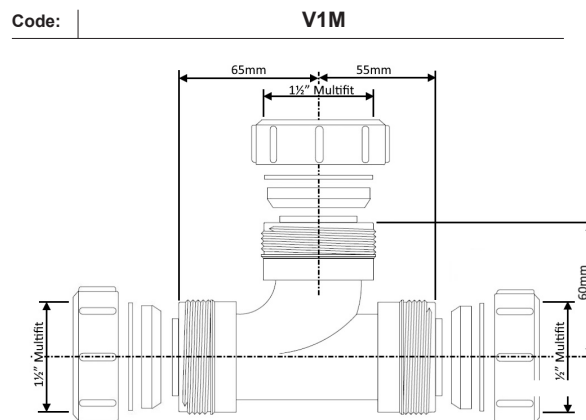
Code: **WC-F23P**



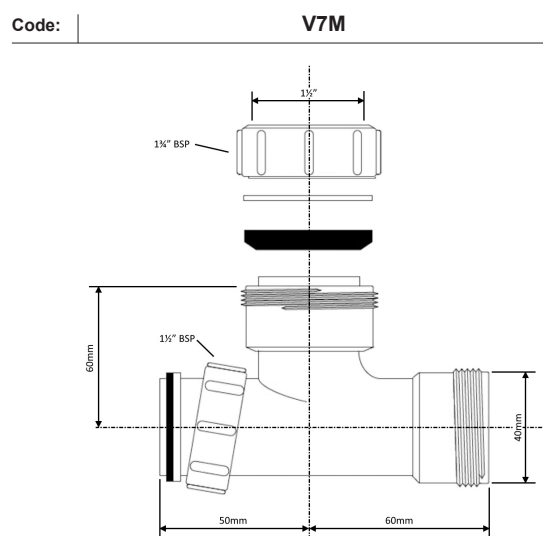
Accessories



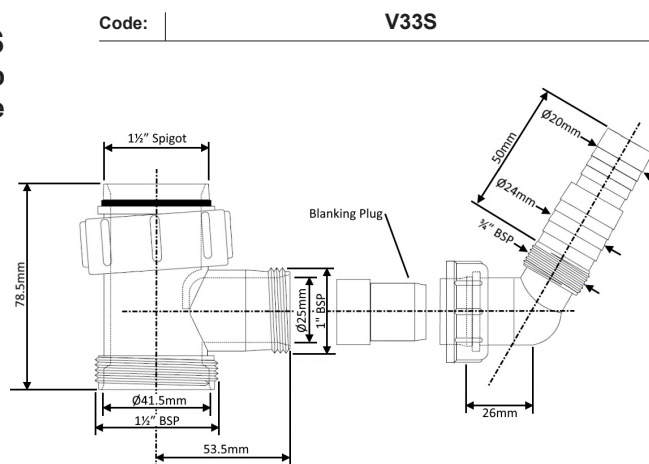
V1M
40mm compression swept tee



V7M
40mm F/M compression tee



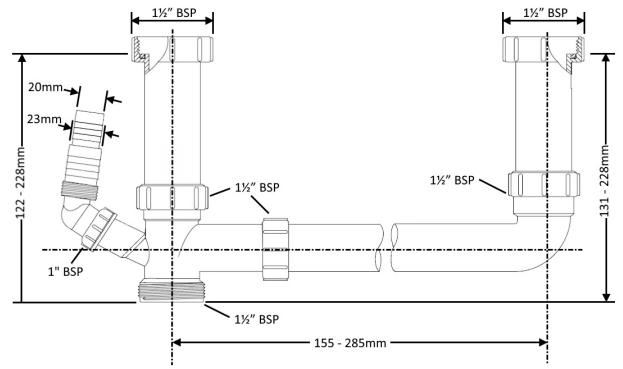
V33S
40mm compression sup inlet tee





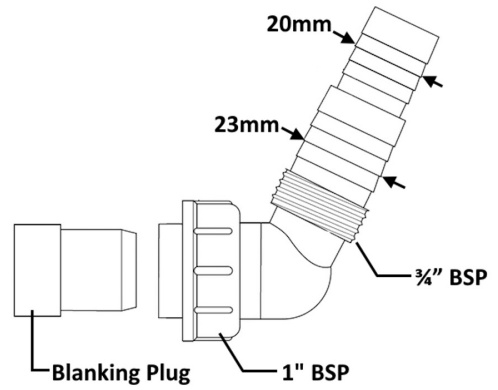
SK2NT
40mm adjustable double
bowl connection kit
incl sup inlet

Code: SK2-NT



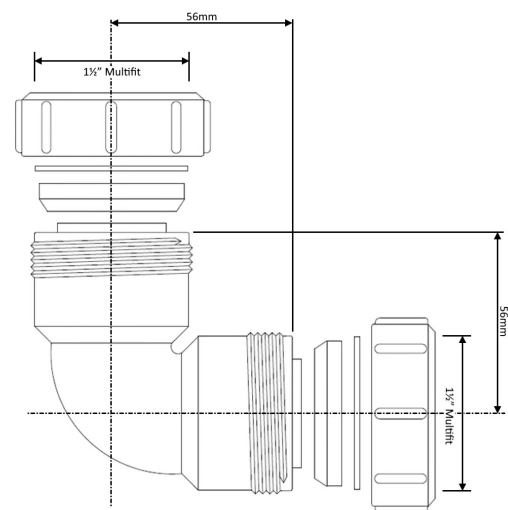
MA15
Supplementary inlet
adaptor & 1" nut

Code: MA15



MT4
40mm compression elbow

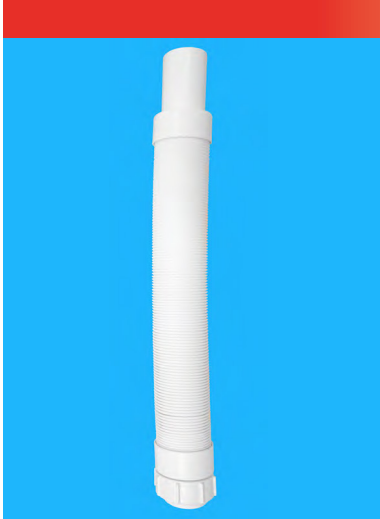
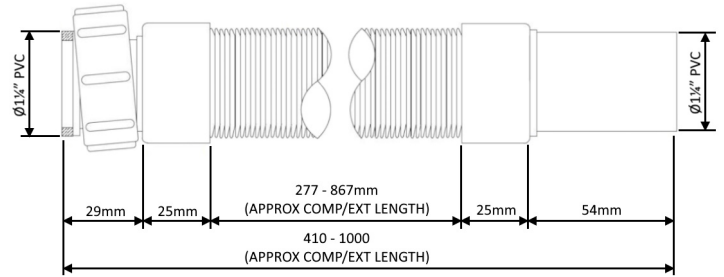
Code: MT4





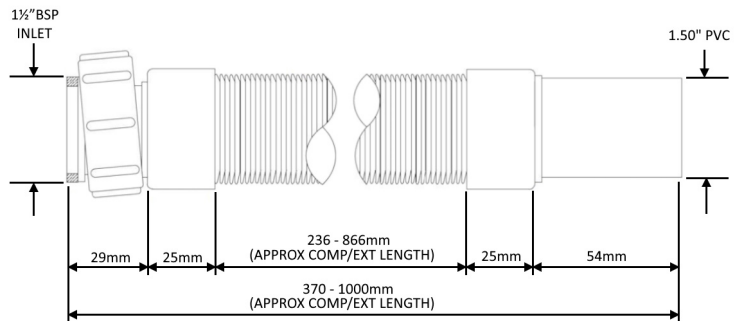
FLXCCB1A
32mm flexi waste connector

Code: FLXCCB1A



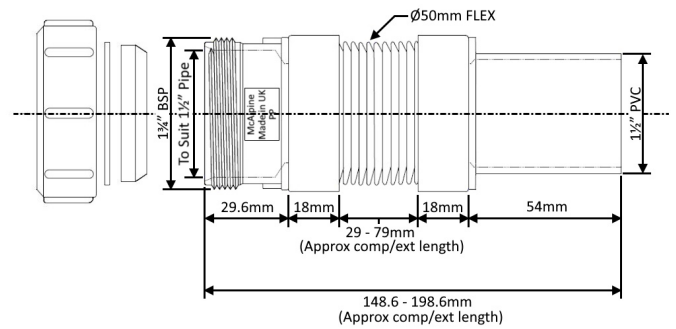
FLXCCS1A
40mm flexi waste connector

Code: FLXCCS1A



MINIFLEX 5
0 – 90 degree, 40mm elbow

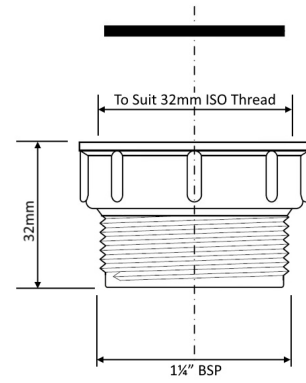
Code: MINIFLEX 5





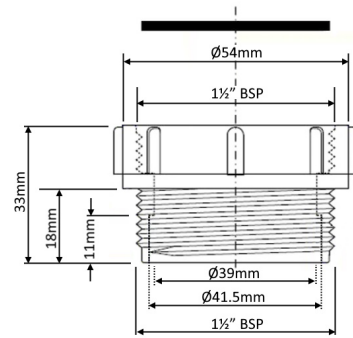
S12A-F
32mm BSP coupling

Code: | **S12A-F**



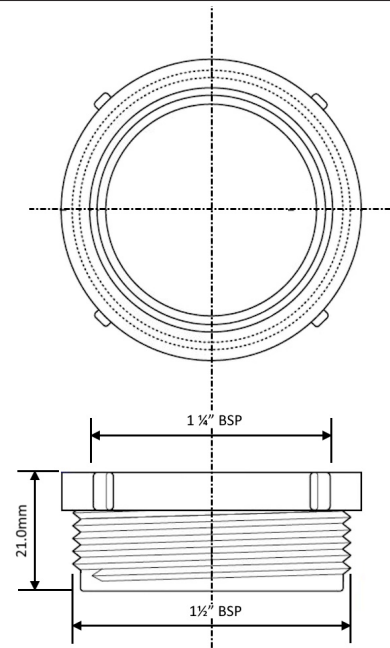
T12A-F
40mm BSP coupling

Code: | **T12A-F**



T16
40x32mm trap inlet reducer

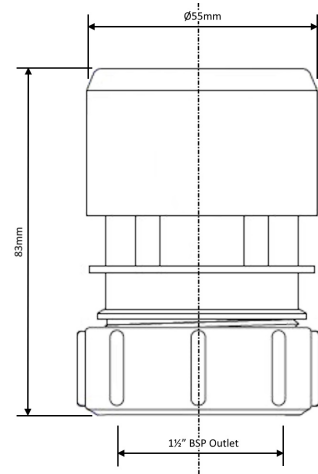
Code: | **T16**





VPSF-40/50
50/40mm air admittance valve

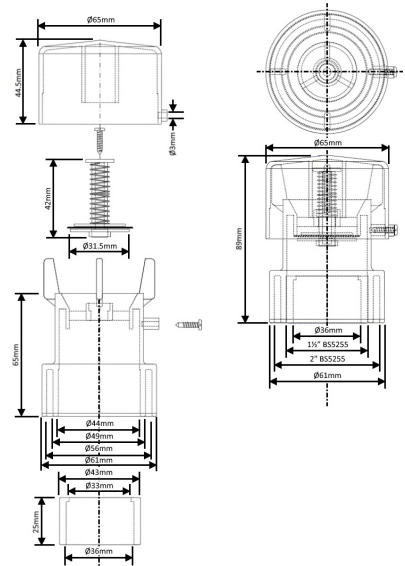
Code: **VPSF-40/50**



VP25-1.5
40mm thread/32mm pipe
air admittance valve

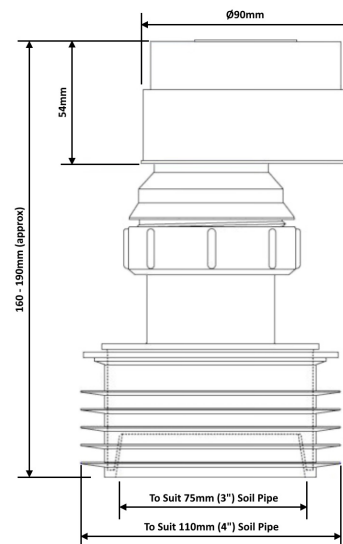
(Designed to be used in
conjunction with any 40mm
BSP thread)

Code: **VP25-1.5**



VP50-100
50/80/100mm air admittance valve

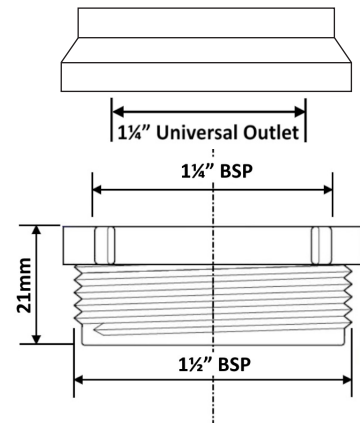
Code: **VP50-100**





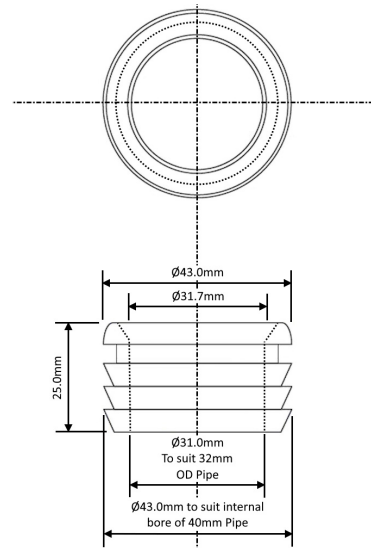
1.25TRAPKIT
40x32mm reducing bush and trap inlet reducer

Code: | **1.25TRAPKIT**



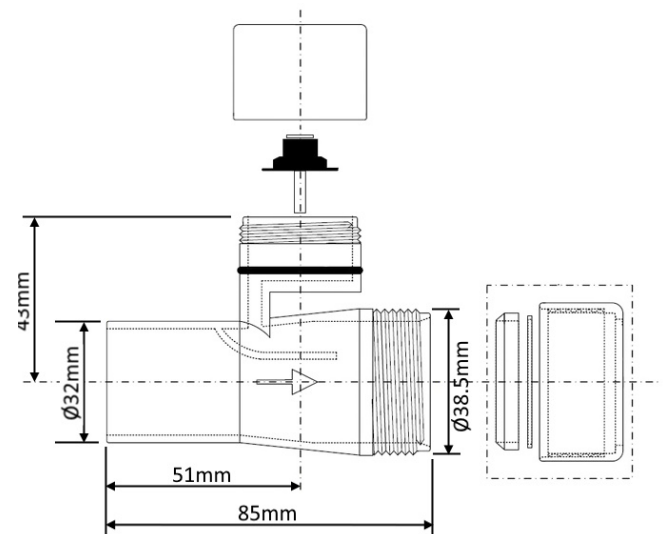
FLEXCONN 40-32
40x32mm brass bottle trap to PVC outlet connector

Code: | **FLEXCONN 40-32**



V1ABSV-PL-CP
32mm Bottle trap outlet air admittance valve CP

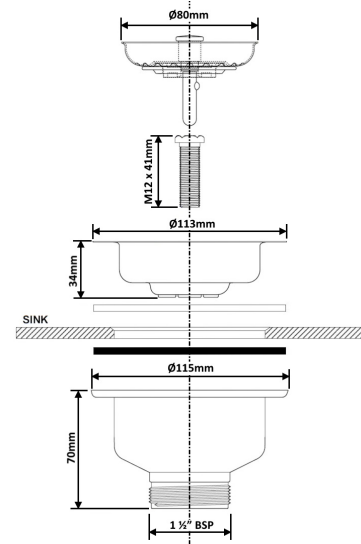
Code: | **V1ABSV-PL-CP**





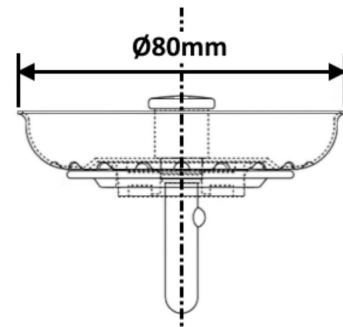
BWSTSS
Sink basket strainer waste

Code: **BWSTSS**



BWSTSS-TOP
Sink basket strainer waste

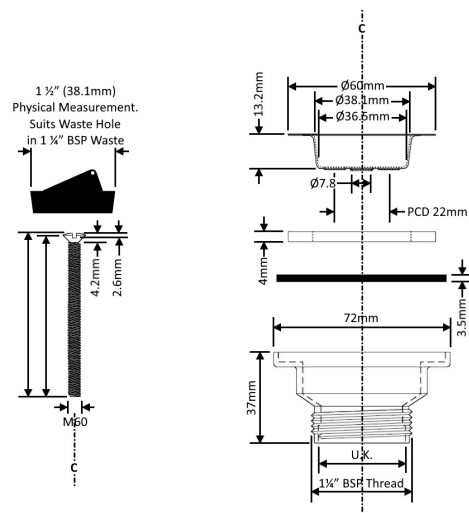
Code: **BWSTSS-TOP**



BSW1P
32mm multifit basin
waste SS

BSW10PR-AUS
40mm multifit sink
waste SS

Code: **BSW1P**



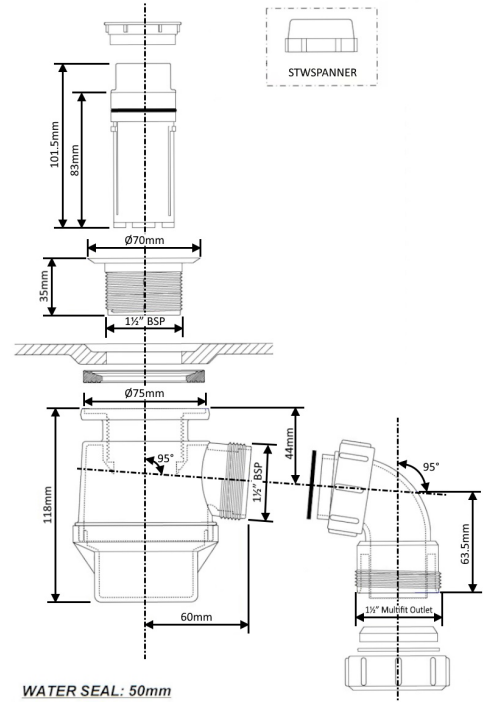


STW4-R
40mm easy clean
bath/shower waste/trap



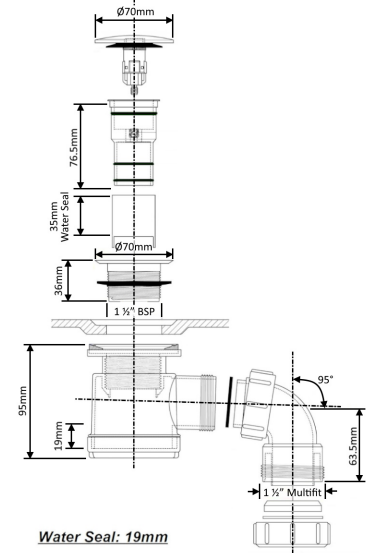
STW PLUG
Chrome plug for STW4-R

Code: **STW4-R**



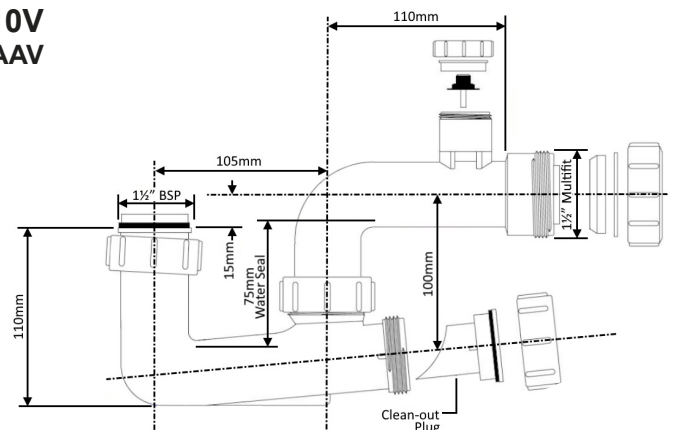
HC26CLCP-UK
40mm click click bath waste

Code: **HC26CLCP-UK**
70mm CPB Clicker Flange



L10V
Bath trap 40mm incl. AAV

Code: **L10V**

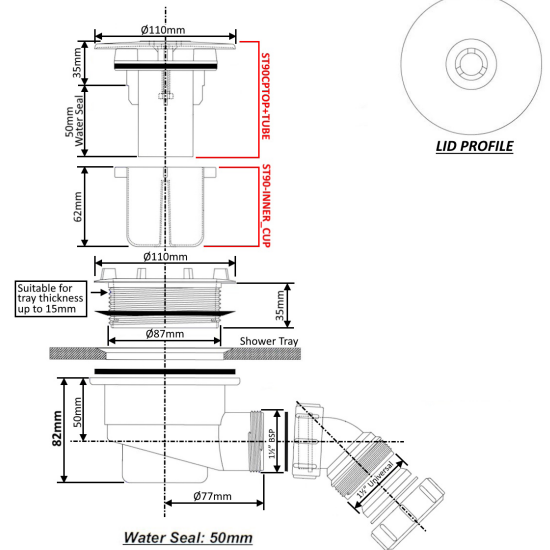




ST90CP10
Easy clean shower waste
90mm CP top

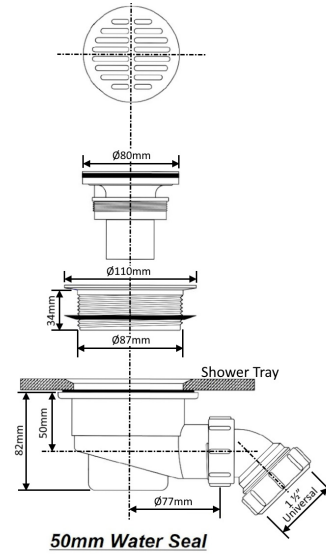
Also available in White:
Product Code - ST90WH10

Code: **ST90CP10**



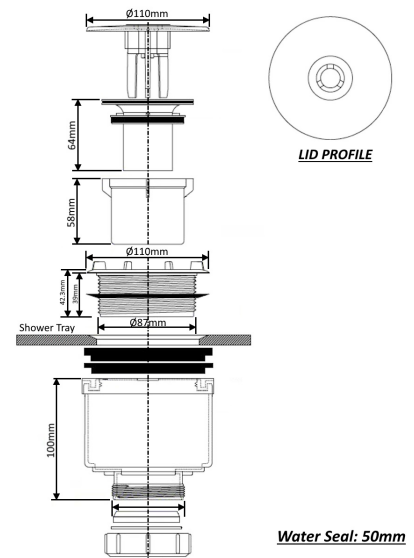
ST90CPB-S
90mm, Brass top
Easy clean shower trap CP

Code: **ST90CPB-S**



ST90CP10-V
Easy clean shower waste
bottom outlet 50mm

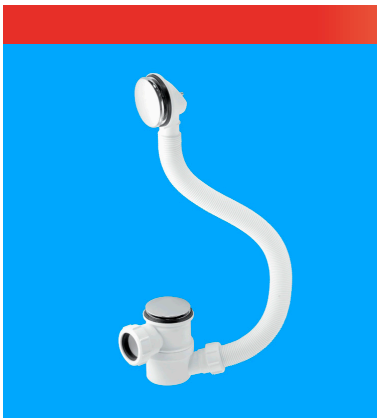
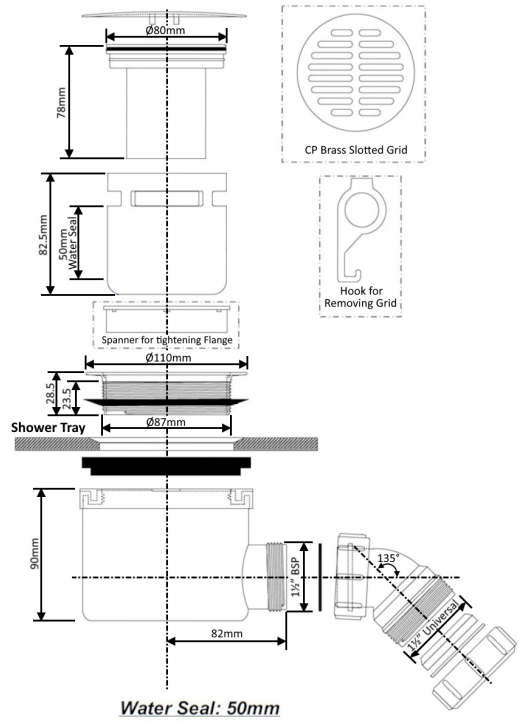
Code: **ST90CP10-V**





ST90CPB-S-HP2
 Easy clean shower waste
 Brass top high flow 42 ltr
 per min

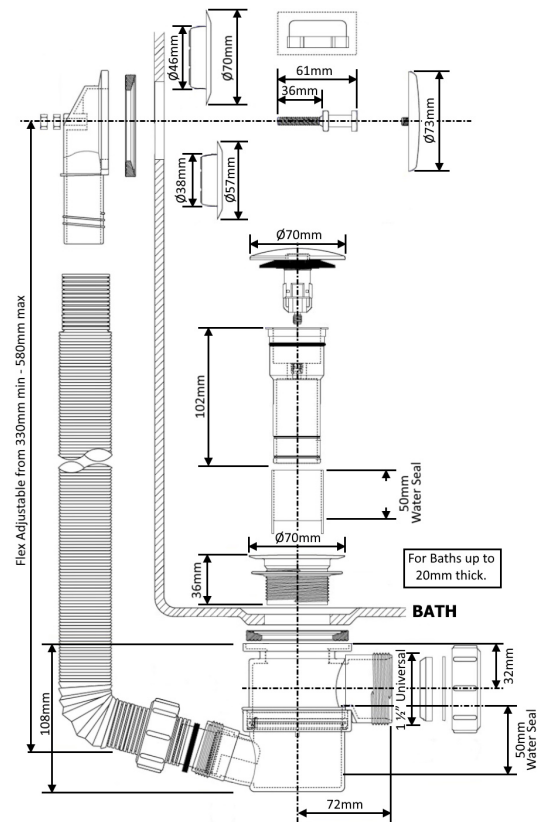
Code: | **ST90CPB-S-HP2**



HC2650UK
 40mm easy clean clicker
 bath waste/trap
 with bath overflow

Code: | **HC2650UK**

113mm high 1 1/2" Bath Trap with Overflow & Clicker Waste Plus & 50mm Seal

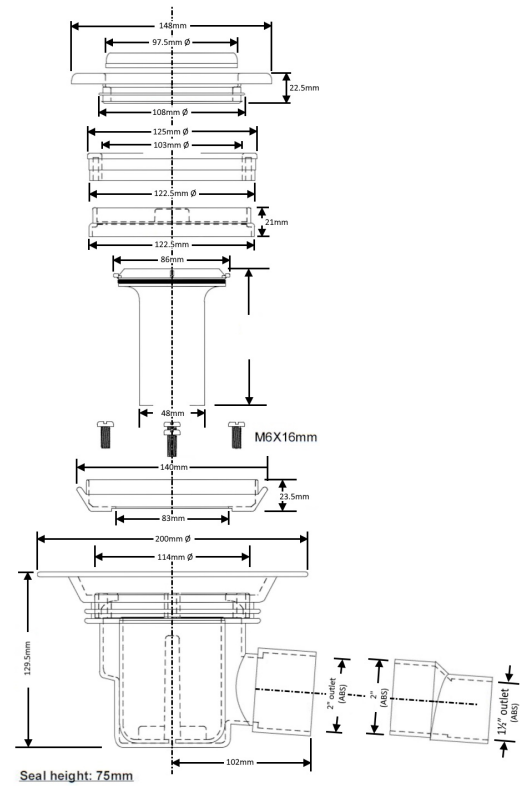


Shower Wastes

Code: TSG1-T150SS



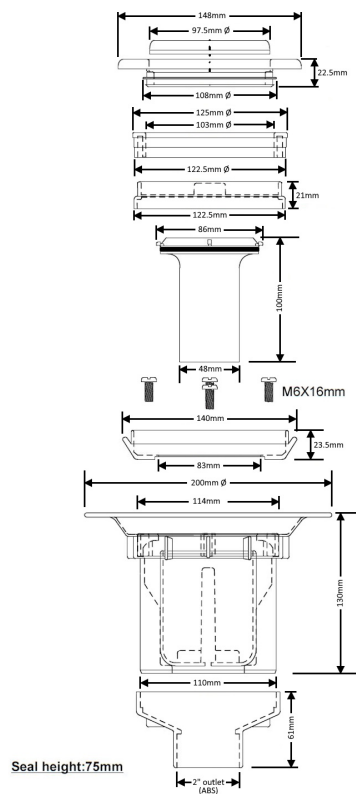
TSG1-T150SS
Easy clean waste/trap for
tiled floors
Side outlet - 50/40mm



Code: TSG2-T150SS



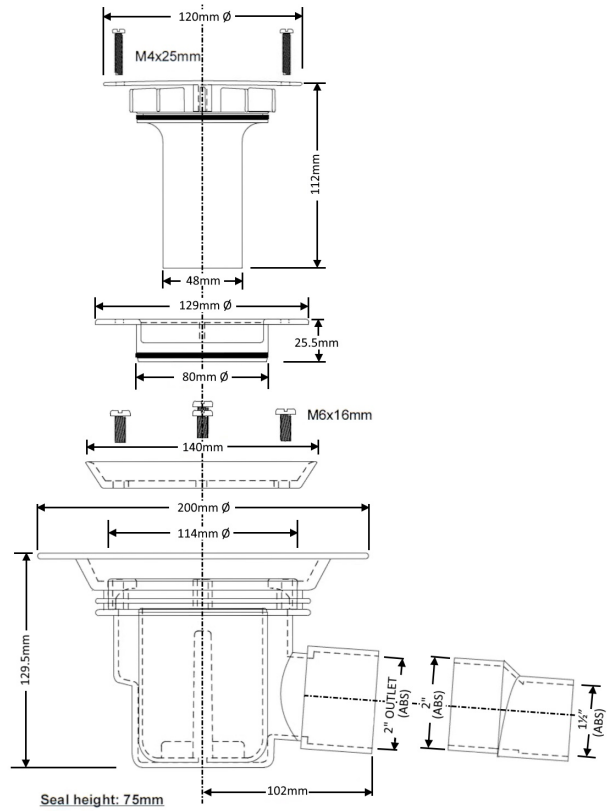
TSG2-T150SS
Easy clean waste/trap for
tiled floors
Bottom outlet - 50mm





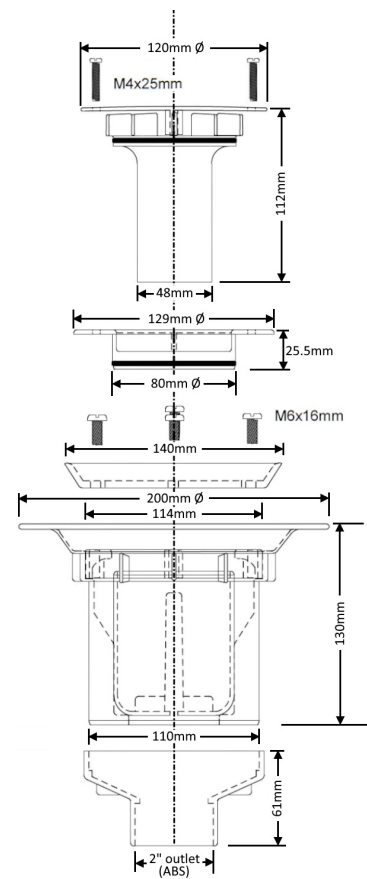
TSG1SS
Easy clean waste/trap for
vinyl floors
Side outlet

Code: **TSG1SS**



TSG2SS
Easy clean waste/trap for
vinyl floors
Bottom outlet

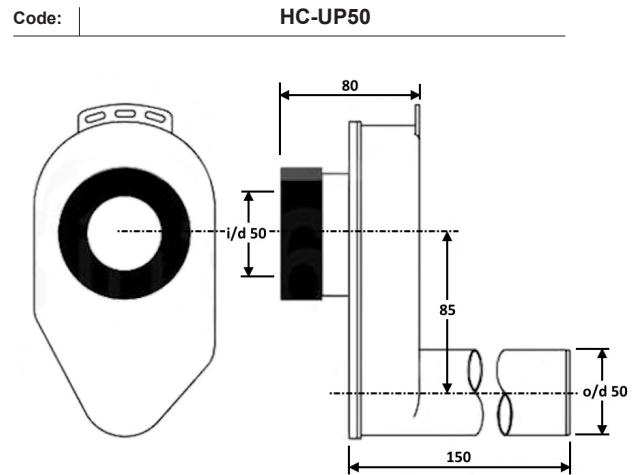
Code: **TSG2SS**



Urinal Trap



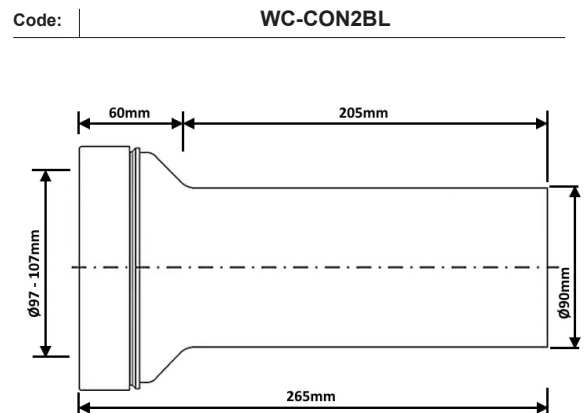
HC-UP50
50mm urinal trap



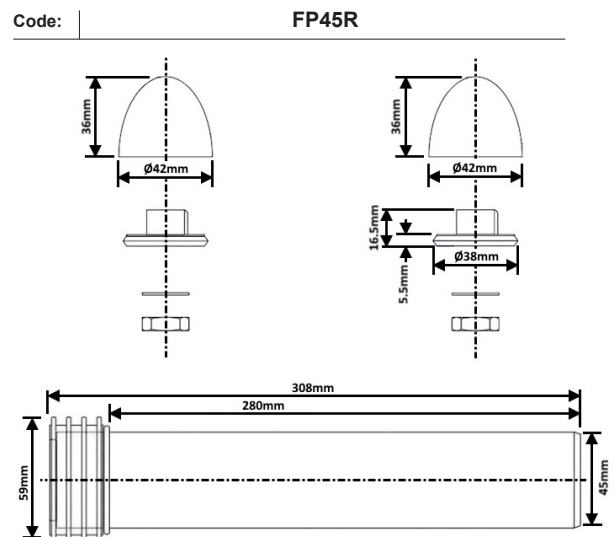
Concealed Cisterns



WC-CON2BL
WC waste pipe 90mm black



FP45R
Flush pipe extension and pan seal for in-wall cisterns



Product Code - WDU-4ASNZ

Perfect Grind® Waste Disposal Unit

An environmentally sound solution to the growing problem of food waste



- 25% more torque than other brands provides more grinding power
- Unique permanent magnet motor produces higher RPM (revolutions per minute) than AC (Alternating Current) induction motors
- Corrosion proof cast stainless steel impellers on all models
- 180° dual swivel anti-jam impellers prevent jamming
- High efficiency performance saves time, water and energy
- Motor incorporates sound eliminating insulation technology for quiet operation
- Bioguard antimicrobial eliminates bacteria and odours
- Power cord included
- Supplied with 90° Bend x 40mm BSP thread for connection to trap



The plumbers' first choice. The market leader in plumbing products

Perfect Grind® Waste Disposal Unit



Perfect Grinding System

Perfect Grind® System can efficiently grind the toughest bones faster and finer than other brands and is safe for any properly sized septic system. Wear resistant and corrosion proof.

- Stainless steel, high precision, high speed dynamic balanced grinding turntable
- Stainless steel grinding rings
- Stainless steel, dual swivel anti-jam impellers prevent jamming
- Specially designed large opening, round holes and arch cutters



Product Code - WDU-4ASNZ

WDU-4ASNZ - Perfect Grind® continuous feed 1 1/4 HP Food Waste Disposer

Level	Entry
HP - RPM	1 1/4 HP - 2500 RPM
Warranty	10 Years
Fixing System	3 Bolt Mount
Grinding System	Stainless Steel
Switch	Wall Switch

Product Code - WDU-4ASNZ
Perfect Grind® continuous feed
1 1/4 Hp Food Waster Disposer
includes Air Switch



Perfect Grind®
By McAlpine Plumbing



E7788



Includes Air
Switch



Corrosion Proof Grinding Chamber

Grind chamber is constructed with the proven durability of glass filled nylon for lasting performance and is treated with BioGuard Antimicrobial Odour Protection.



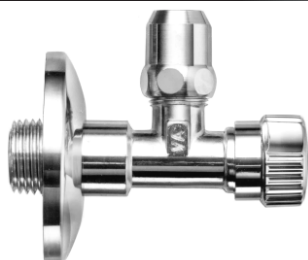
The plumbers' first choice. The market leader in plumbing products



L143481
15mm x 10mm Linea filter angle
valve



R50131
15mm x 57mm wall flange



C402281
15mm x 10mm angle valve



L02803
15mm x 15mm Linea shower elbow



C498694
15mm x 15mm angle valve



G02510SD
15mm x 10mm
chrome plated
M + F reducing coupler



D100281
15mm x 10mm female angle
valve

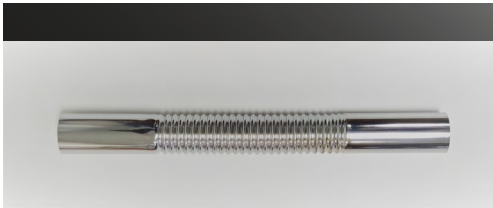
D100181
15mm x 15mm female angle
valve



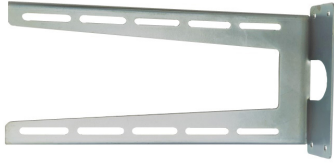
D902285
Washing machine double spindle valve
15mm x 20mm & 10mm outlets



IO4230
Floor Tube
32 x 220 x 680mm



M04134
Albertoni Flexible
Chrome Waste pipe
32 x 300mm



iBracket
Inwall support bracket
for Hansgrohe
lbox shower/bath mixer body
incl nuts/bolts
90mm



iBracket 70mm
Inwall support bracket
for Hansgrohe
lbox shower/bath mixer body
incl nuts/bolts
75mm



14095000
Hansgrohe ball mixer cartridge
-basin/sink

14096000
Hansgrohe ball mixer cartridge
-shower/bath



92730000
Hansgrohe M2 cartridge
-ceramic disc



13952000
Hansgrohe ball mixer service set



56373000
Hansgrohe bath trap



55237000
Hansgrohe 32mm
bidet trap



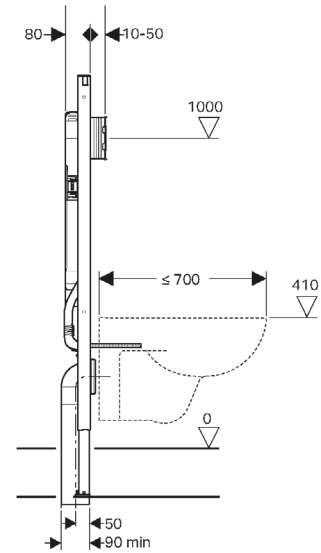
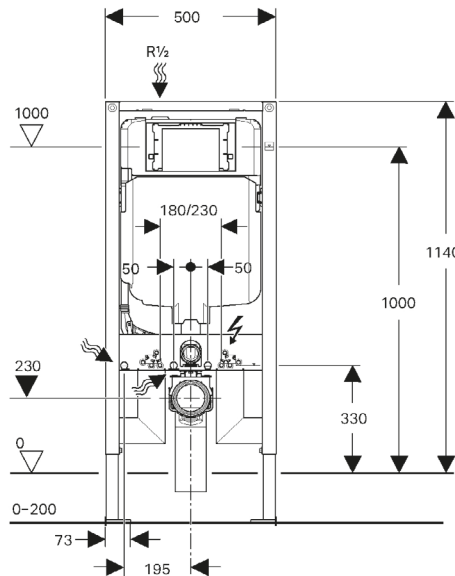
53428000
Hansgrohe 32x300mm
tube CP

Geberit Concealed Cisterns



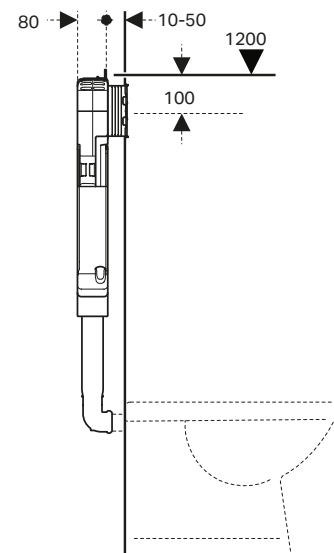
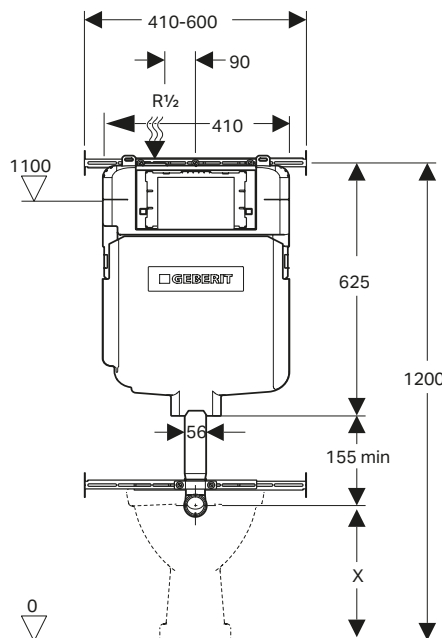
Sigma8 Duofix Concealed with frame
WH Cistern 4 Star
111.697.00.1 (6/3L)

*For buttons for concealed systems, please contact Flow Imports



Sigma8 Concealed Cistern
BTW Cistern 4 Star
109.794.00.1 (6/3L)

*For buttons for concealed systems, please contact Flow Imports



Geberit Concealed Cisterns



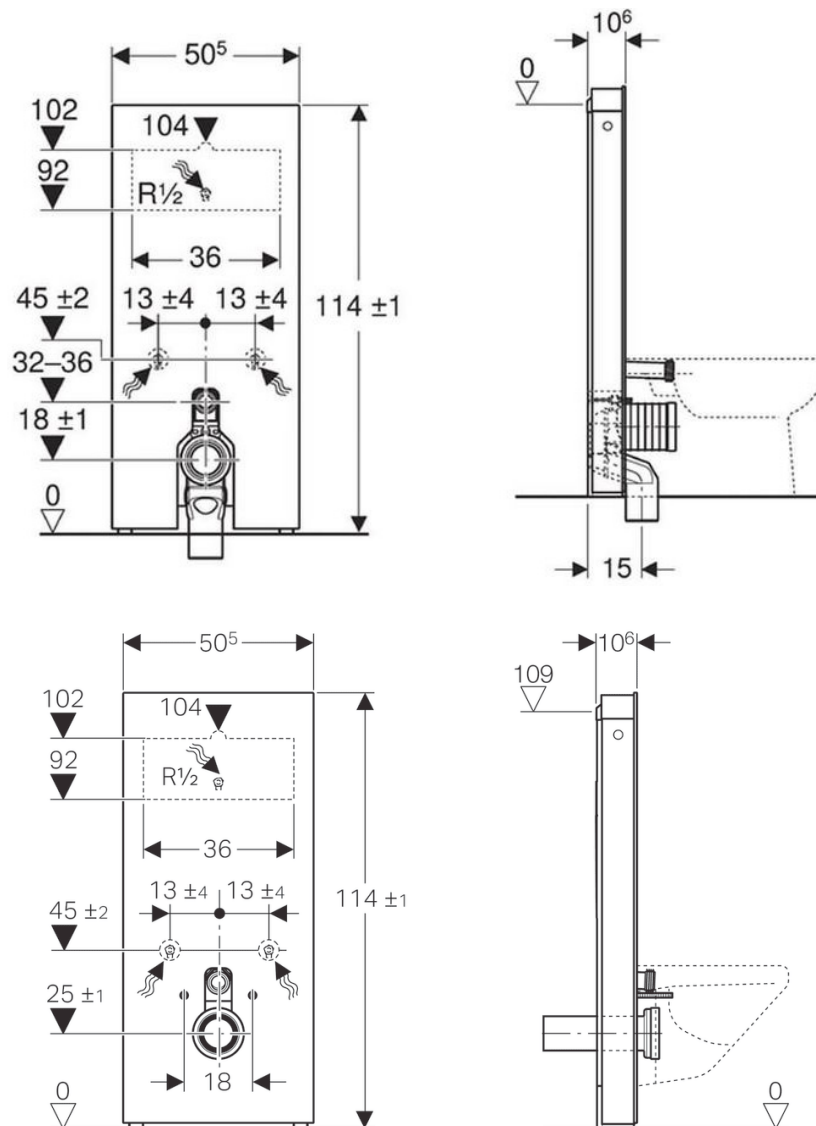
**Geberit Monolith
Sanitary Module for
Wall-Hung and
Floor-Standing WC Pans**

131.033.SJ.5 – Black Glass - Module for floor-standing pan

131.033.SI.5 – White Glass - Module for floor-standing pan

131.031.SJ.5 – Black Glass - Module for wall-hung pan

131.031.SI.5 – White Glass - Module for wall-hung pan



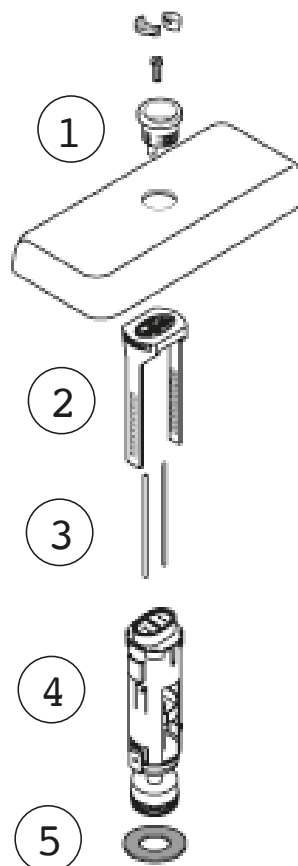
Geberit Spare Parts

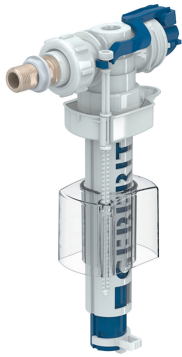


**Impuls250 Outlet for Close
Coupled and Linked Cisterns**
Outlet valve for cisterns
with flush pipes
225.112.00.1



Pos.	Description	Art. No.
1	Impuls250 actuator complete; satin/chrome	240.275.00.1
2	Cistern lid bracket	170.350.00.1
3	Set of actuator rods	170.351.00.1
4	Outlet valve mechanism including seal	225.112.00.1
5	Outlet valve seal, silicone	816.418.00.1





Impuls380
For Close Coupled
and Concealed Cisterns
Back or side inlet valve with 3/8"
nipple short
222.011.00.1



Diaphragm and lever
170.360.00.1



Rear-entry hose
(L=300mm) with
3/8" female nut - 240.989.00.1



Geberit Inlet Clip for Impuls 380

Geberit Spare Parts

Outlet Valve



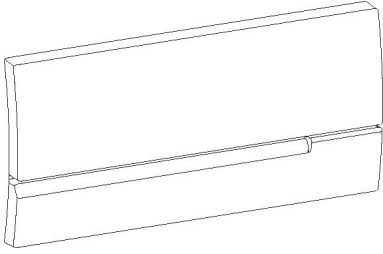
Geberit Sigma 80
Outlet valve
241.290.00.1



Geberit Twinline UP170
Dual Flush
In-wall cistern Dual flush valve
240.502.00.1



Geberit Flush Valve UP200
Dual Flush Valve for Geberit Kappa 15 - UP200
Product Code: 240.638.00.1



Wisa 2000
Front or top flush
(Contact Flow Imports
for spare parts)



Wisa 2100
Front flush
(Contact Flow Imports
for spare parts)



Wisa 2102
Top flush
(Contact Flow Imports
for spare parts)



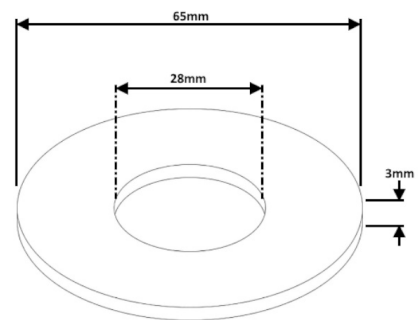
Wisa 2100
Dual flush - white
(Contact Flow Imports
for spare parts)

8050390037

Product Code: 8050390037

Wisa 2100 Underwater Flush Valve Washer
(bag of 5)

Dimensions: 28mm x 65 x 3mm



Made in Britain

All our traps are Made in Britain.
Quality Guaranteed.



McAlpine Flexible Connections
offer **maximum flexibility** where
it is needed.



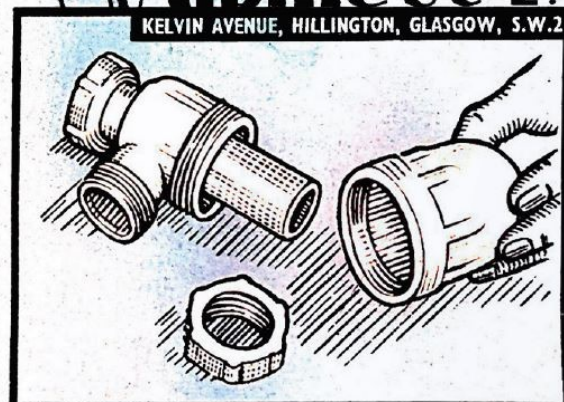
- use to solve problems where flexibility is needed
- Manufactured in high quality Polypropylene
- Plain spigot suitable for Solvent Welding to pipe BS EN 1329-1:2000



McALPINE
Plumbing Products

Manufacturing
plastic traps in the
UK **since 1957**

McAlpine & Co Ltd
KELVIN AVENUE, HILLINGTON, GLASGOW, S.W.2





McALPINE

Plumbing Products



McAlpine started producing plumbing products in 1907.

McAlpine was the first company in the United Kingdom to manufacture plastic traps in 1957.

The company is privately owned and still run by the McAlpine family today.

McAlpine is manufactured in Glasgow, UK.

McAlpine exports products to over eighty countries around the world.

THE MARKET LEADER IN QUALITY PLUMBING PRODUCTS
"McAlpine, the plumber's first choice!"




#MCALPINEPLUMBING **You Tube**

flow

PLUMBING IMPORTS LTD



 **GEBERIT**

 hansgrohe



24A Morrin Rd, Panmure, Auckland, New Zealand.
PO Box 14063, Panmure, Auckland 1741.
Ph:(09) 527 0037

0800 Hansgrohe

www.flowimports.co.nz