

# flow

PLUMBING IMPORTS LTD



**GEBERIT**

**hansgrohe**



24A Morrin Rd, Panmure, Auckland, New Zealand.  
PO Box 14063, Panmure, Auckland 1741.  
Ph:(09) 527 0037

**0800 Hansgrohe**

[www.flowimports.co.nz](http://www.flowimports.co.nz)



# McALPINE

## Plumbing Products



**McAlpine started producing plumbing products in 1907.**

**McAlpine was the first company in the United Kingdom to manufacture plastic traps in 1957.**

**The company is privately owned and still run by the McAlpine family today.**

**McAlpine is manufactured in Glasgow, UK.**

**McAlpine exports products to over eighty countries around the world.**

**THE MARKET LEADER IN QUALITY PLUMBING PRODUCTS**  
***"McAlpine, the plumber's first choice!"***



**#MCALPINEPLUMBING** **You Tube**

**McAlpine**

Traps	1-4
Pan Connectors	5-8
Accessories	9-15
Wastes	16-19
Shower Wastes	20-21
Urinal Trap	22
Concealed Cisterns	22
Waste Disposal	23-24

**VA Albertoni** 25-27**Hansgrohe** 28-29**Geberit Concealed Cisterns** 30-31**Geberit Spare Parts**

Inlet Valve	32
Outlet Valve	33

**WISA Spare Parts** 34

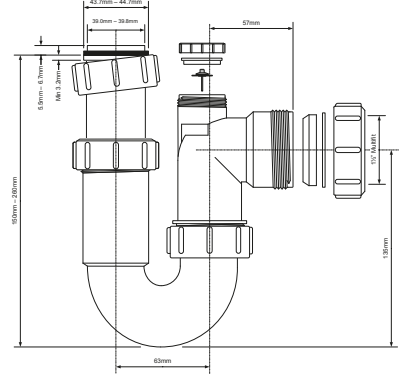
## Traps



**ASC10V-NZ**  
40mm telescopic vented P trap

Code: **ASC10V-NZ**

**AUSTRALIAN  
SPIGOT CRITERIA**



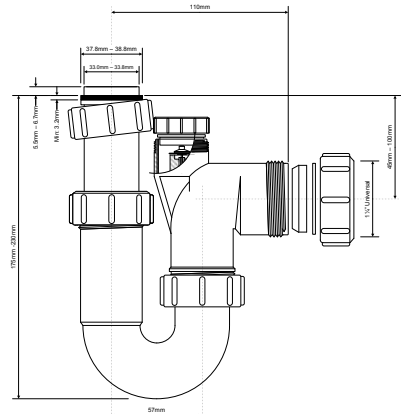
©  
McALPINE



**ASA10V-NZ**  
32mm telescopic vented P trap

Code: **ASA10V-NZ**

**AUSTRALIAN  
SPIGOT CRITERIA**

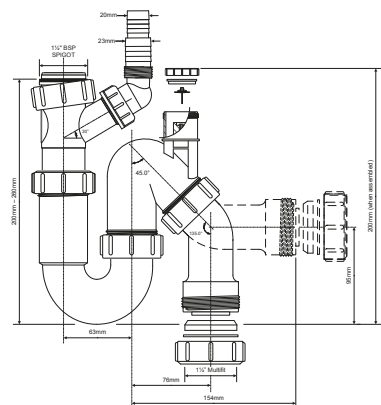


©  
McALPINE



**WM12V**  
40mm telescopic vented  
sup inlet S/P trap

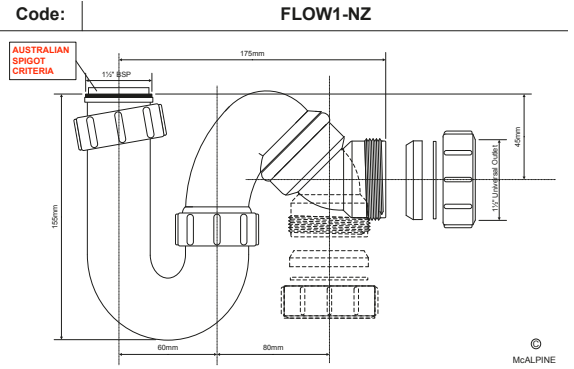
Code: **WM12V**



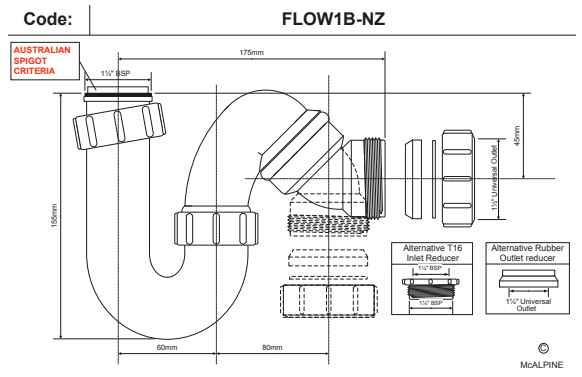
©  
McALPINE



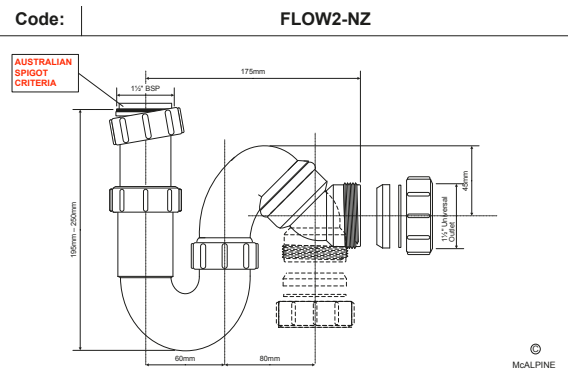
**FLOW1-NZ**  
40mm compact S/P trap



**FLOW1B-NZ**  
40mm compact S/P trap +  
32x40 inlet bush & outlet  
rubber reducer

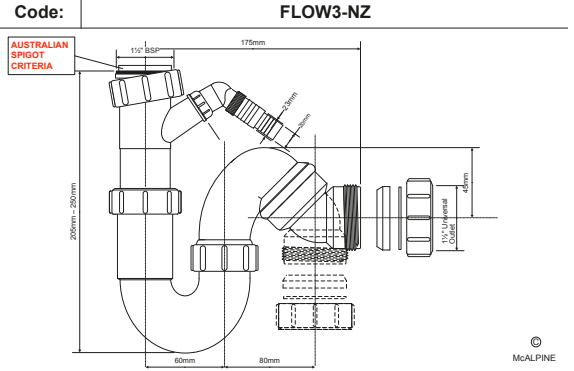


**FLOW2-NZ**  
40mm telescopic compact  
S/P trap

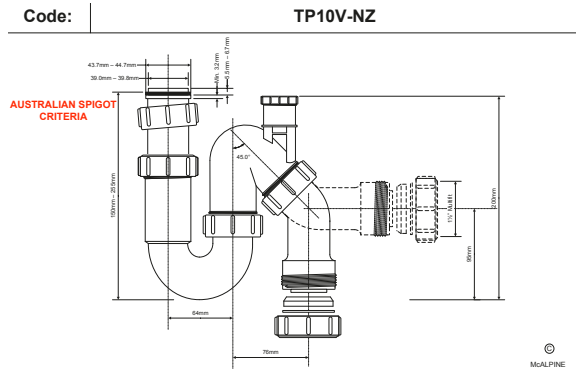




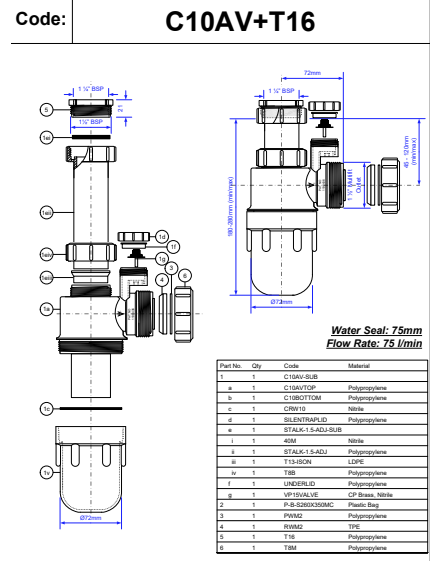
**FLOW3-NZ**  
40mm telescopic sup inlet  
compact S/P trap



**TP10V-NZ**  
40mm telescopic S-P trap - vented



**C10AV+T16**  
40mm telescopic vented  
bottle trap





Plumbing Products

## WV-1-A McAlpine diaphragm elbow trap

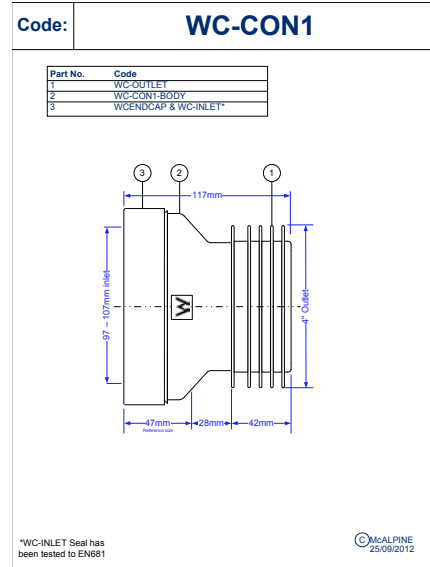


- WV-1-A Basin and bath trap 40mm female inlet nut and a 40mm compression outlet to 40mm PVC pipe.
- For 1¼" wastes use a McAlpine T16 bush 32 x 40mm
- Designed to allow full use of storage space below the basin within the vanity cabinet.
- The internal membrane opens under water pressure to allow discharge to flow freely and closes to form a complete seal.
- This valve allows air to be drawn into the discharge pipe when negative pressures occur and eliminates the need for secondary ventilation of the pipework.
- The diaphragm can easily be cleaned and will never dry out through lack of use.
- Manufactured in Glasgow, Scotland, UK.
- McAlpine Plumbing Products have NZ patent approval on diaphragm traps.
- Length 185mm x Depth 68mm

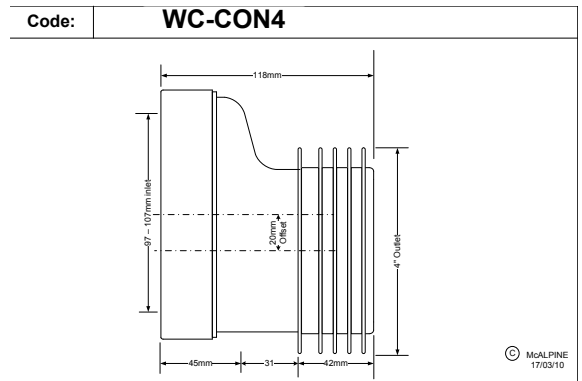
## Pan Connectors



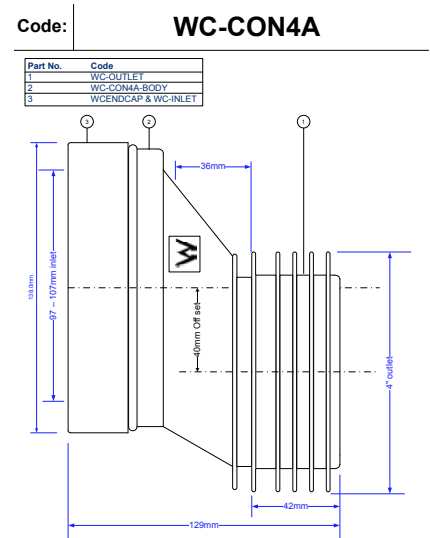
**WC-CON1-NZ**  
100mm pan connector (80mm int)



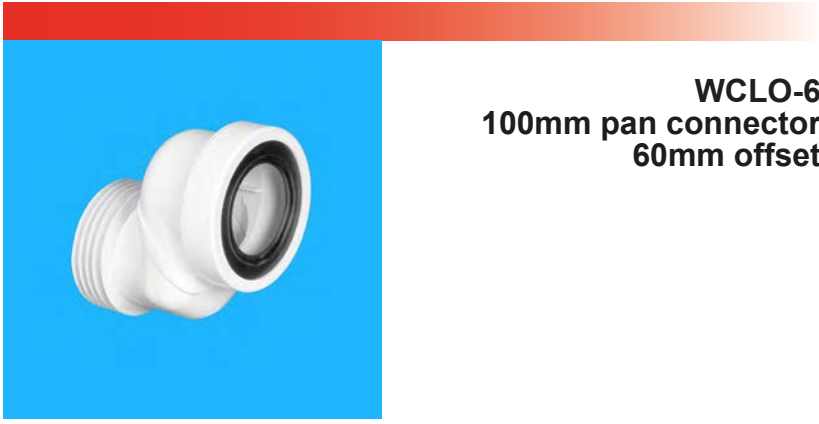
**WC-CON4-NZ**  
100mm pan connector (80mm int)  
20mm offset



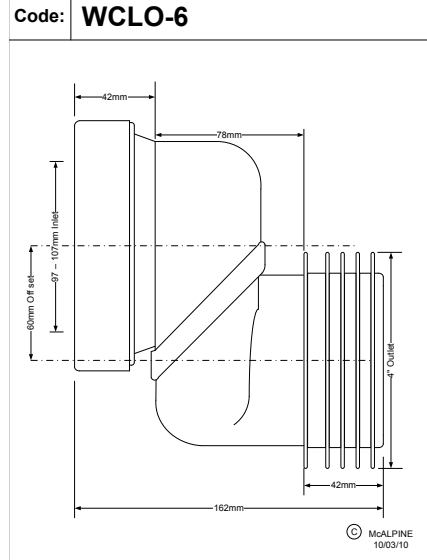
**WC-CON4A-NZ**  
100mm pan connector  
40mm offset



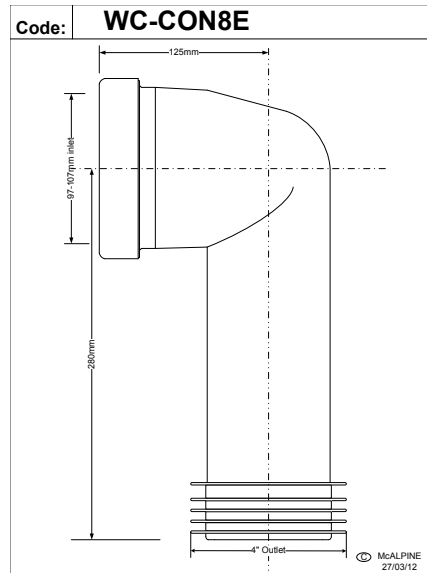




**WCLO-6**  
100mm pan connector  
60mm offset



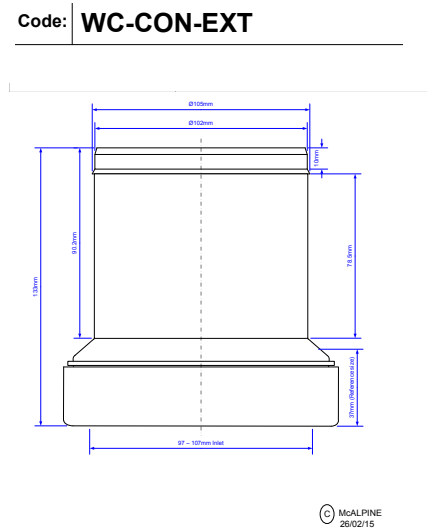
**WC-CON8E**  
100mm 90° pan connector



**WC-CON-EXT**  
WC Connector Extension for use  
with any WC pan Connector

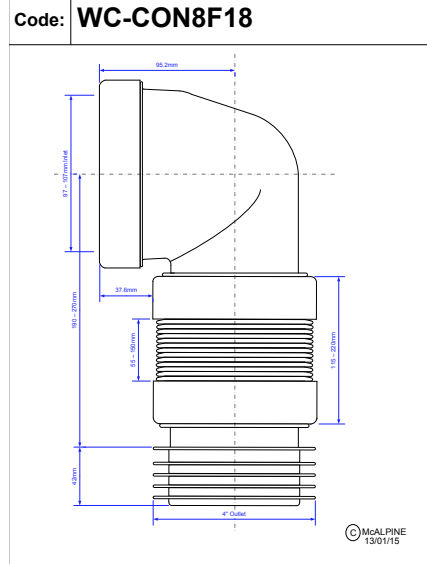
WC-CON-EXT

**WC-CON-EXT**  
In combination with  
**WC-CON8E**  
(Sold Separately)

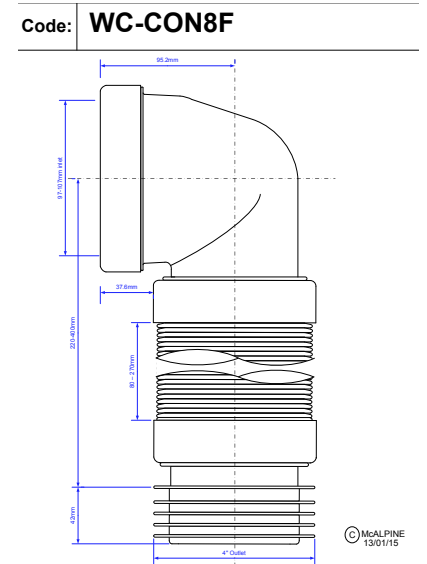




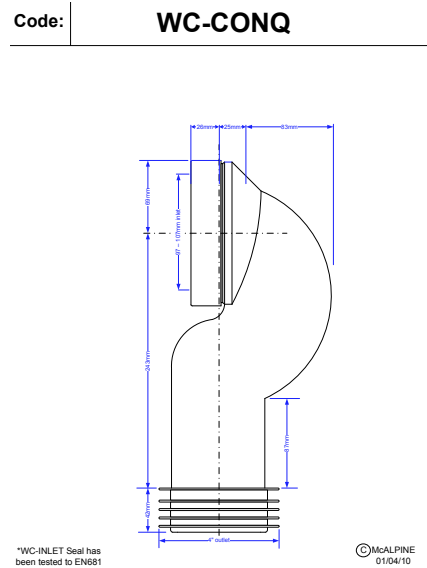
**WC-CON8F18**  
100mm 90° flexi pan connector



**WC-CON8F**  
WC 90 degree Flexi Pan  
Connector 415mm long



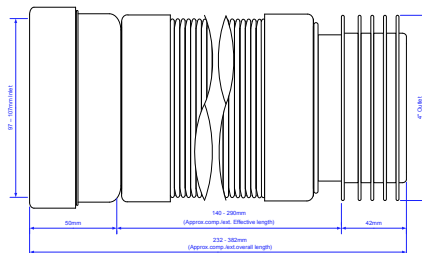
**WC-CONQ**  
100mm 90° goose neck pan con





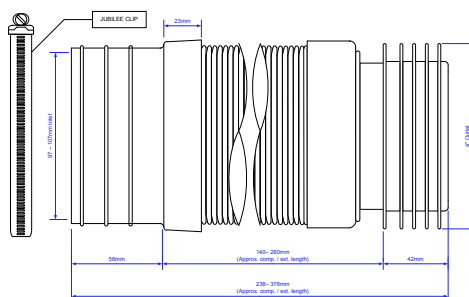
**WC-F23R**  
**WC 100mm Flexi Pan**  
**Connector push 150/340mm long**

Code: **WC-F23R**



**WC-F21R**  
**WC 100mm Flexi Pan**  
**Connector hose clip attachment**

Code: **WC-F21R**

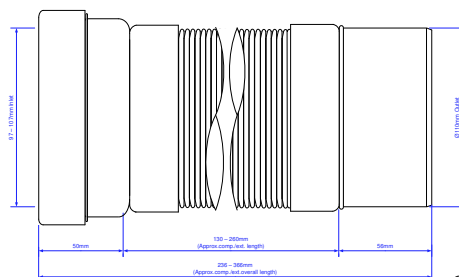


© McALPINE 14/01/15



**WC-F23P**  
**WC 100mm Flexi Pan**  
**Connector spigot end**

Code: **WC-F23P**

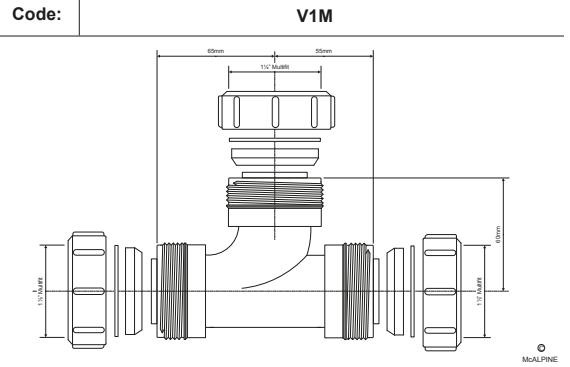


© McALPINE 18/12/14

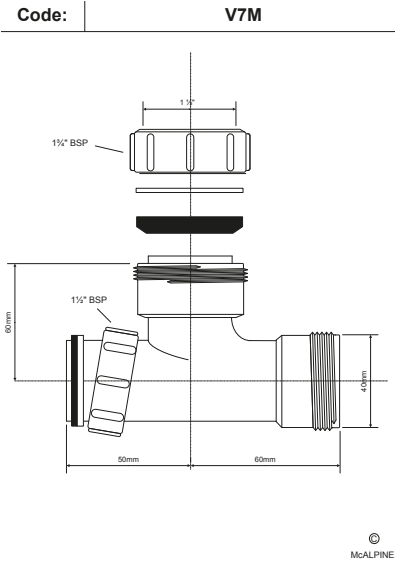
## Accessories



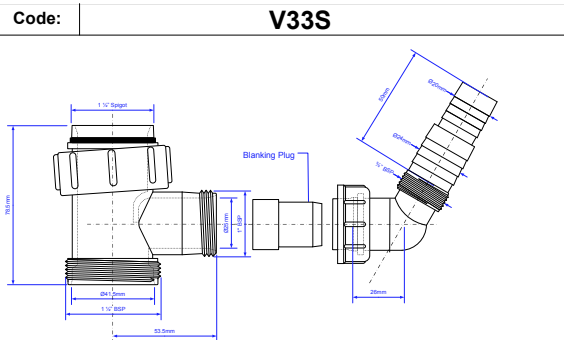
**V1M**  
40mm compression swept tee



**V7M**  
40mm F/M compression tee

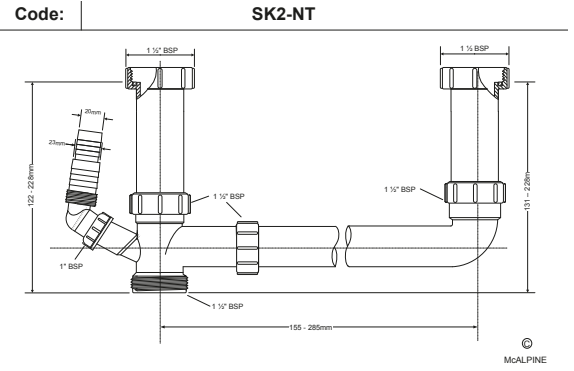


**V33S**  
40mm compression sup inlet tee



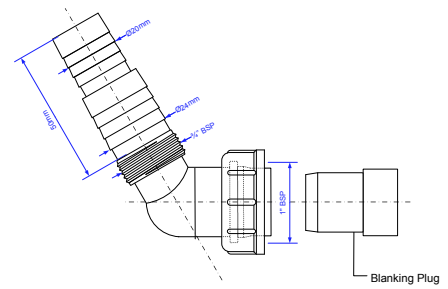


**SK2NT**  
40mm adjustable double  
bowl connection kit  
incl sup inlet



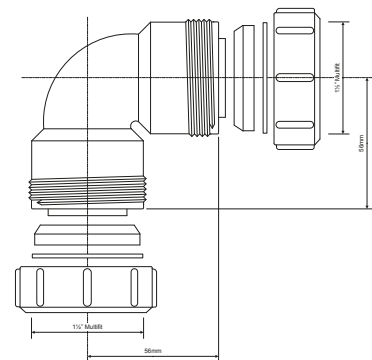
**MA15**  
Supplementary inlet  
adaptor & 1" nut

Code: **MA15**



**MT4**  
40mm compression elbow

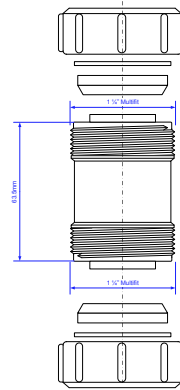
Code: **MT4**





**S28M**  
32mm compression socket

Code: **S28M**

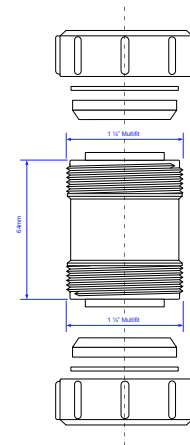


©MICALPINE  
02/12/2004



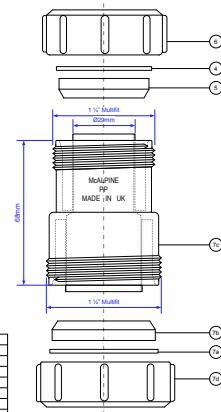
**T28M**  
40mm compression socket

Code: **T28M**



**ST28M**  
40 x 32mm compression socket

Code: **ST28M**



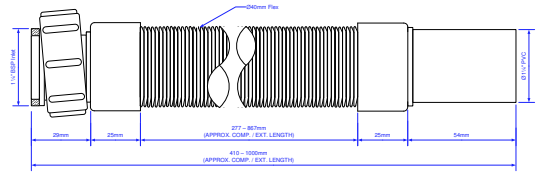
Part No.	Code
1	P-B-3X19AC
2	P-B-150Q50AC
3	P-C-21H
4	PW01
5	PW01
6	SW
7	ST28M/BODY-SUB
a	PW02
b	PW02
c	ST28M/BODY
d	TS

©MICALPINE  
03/07/2006

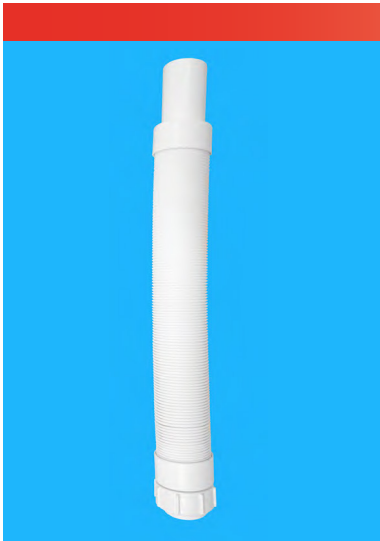


**FLXCCB1A**  
32mm flexi waste connector

Code: **FLXCCB1A**

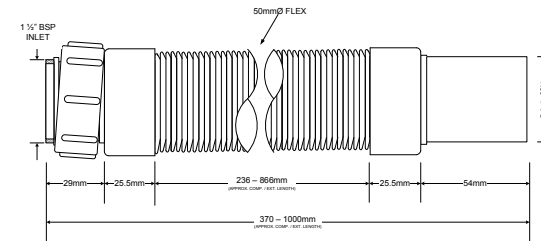


© McALPINE  
17/05/11



**FLXCCS1A**  
40mm flexi waste connector

Code: **FLXCCS1A**

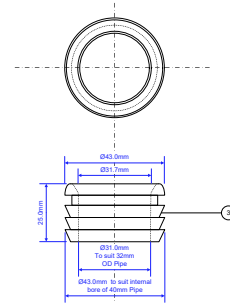


© McALPINE  
12/11/10



**FLEXCONN 40-32**  
40x32mm brass bottle trap  
to PVC outlet connector

**XP 1134**  
**SET E**  
40mm – 32mm Connector

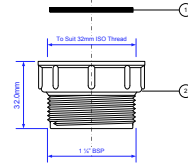


Part No.	Code
1	P-8-32/40-32MM (Plastic Bag)
2	P-C-314 (Carbon)
3	RSEAL-40/32



**S12A-F**  
32mm BSP coupling

Code: **S12A-F**



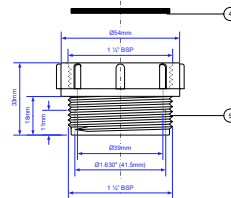
Part No.	Code	Material
1	RV1-ISO	NBR
2	S12A-FBDDY	Polypropylene

©McALPINE  
01/08/2003



**T12A-F**  
40mm BSP coupling

Code: **T12A-F**



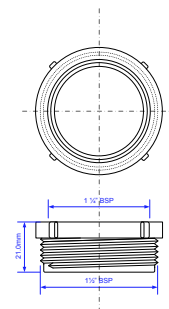
Part No.	Code	Qty	Material
1	PS-10K12MC	1	Plastic Bag
2	PS-S150X200MC	1	Plastic Bag
3	PS-C20Y	1	Gasket
4	RV2-ISO	1	NBR
5	T12A-FBDDY	1	Polypropylene

©McALPINE  
01/08/2003



**T16**  
40x32mm trap inlet reducer

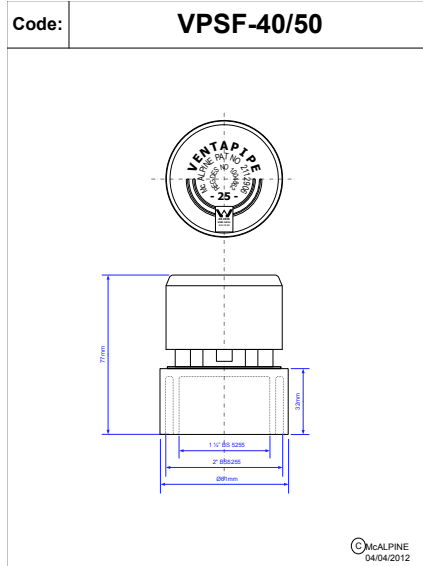
Code: **T16**







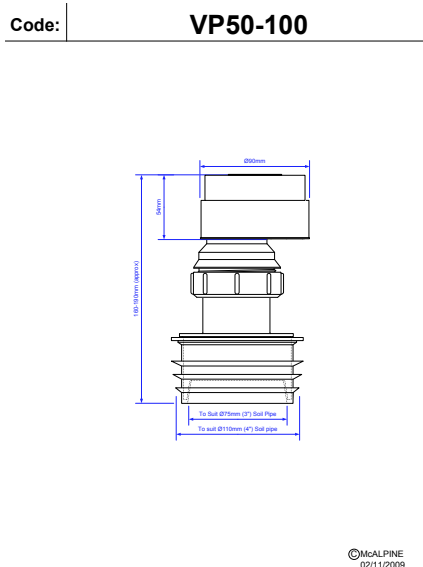
**VPSF-40/50**  
50/40mm air admittance valve

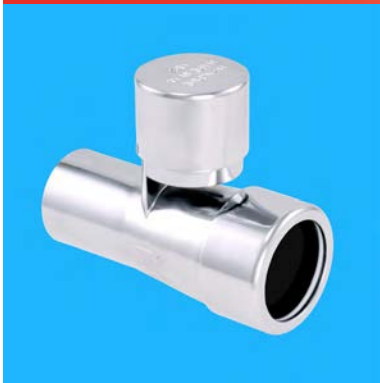


**VP25-1.5**  
40mm thread/32mm pipe  
air admittance valve  
  
(Designed to be used in  
conjunction with any 40mm  
BSP thread)



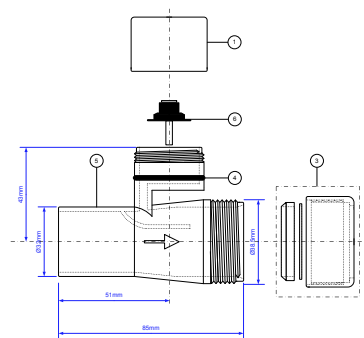
**VP50-100**  
50/80/100mm air admittance valve





**V1ABSV-PL-SV**  
**32mm Bottle trap outlet**  
**air admittance valve CP**

Code: **V1ABSV-PL-CP**

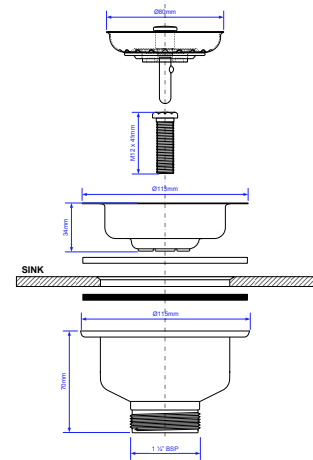


Part No.	Code
1	GAT22V-4ED-CP
2	P-B-100-15-10-AC
3	P-CPB-100-10-10-T
4	P-CPB-10-15-10
5	V1ABSV-PL-BODY-CP
6	VP-BVALVE



**BWSTSS**  
Sink basket strainer waste

Code: **BWSTSS**

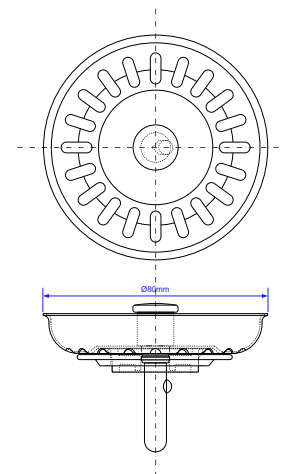


© McALPINE  
20/03/2007



**BWSTSS-TOP**  
Sink basket strainer waste

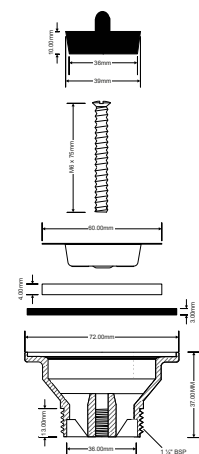
Code: **BWSTSS-TOP**



**BSW1P**  
32mm multifit basin  
waste SS

**BSW10PR-AUS**  
40mm multifit sink  
waste SS

Code: **BSW1P**



© McALPINE

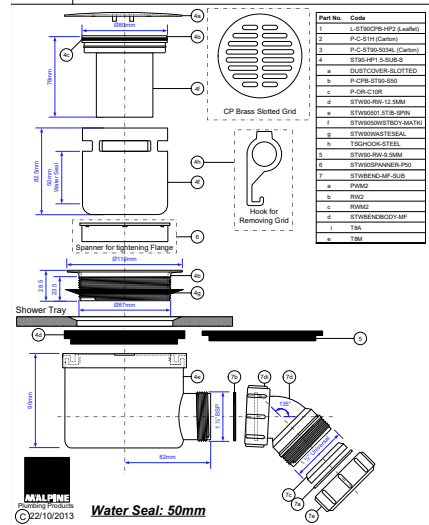






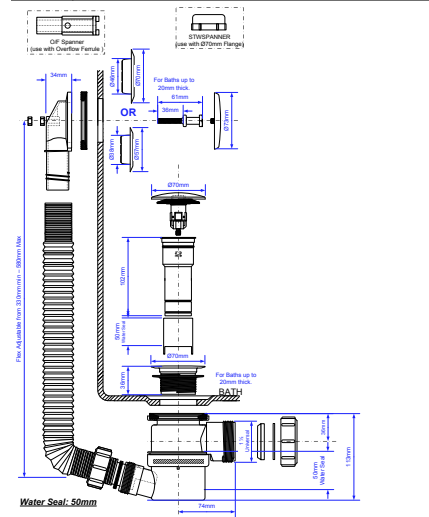
**ST90CPB-S-HP2**  
Easy clean shower waste  
Brass top high flow 42 ltr  
per min

Code: **ST90CPB-S-HP2**



**HC2650UK**  
40mm easy clean clicker bath waste/trap  
with bath overflow

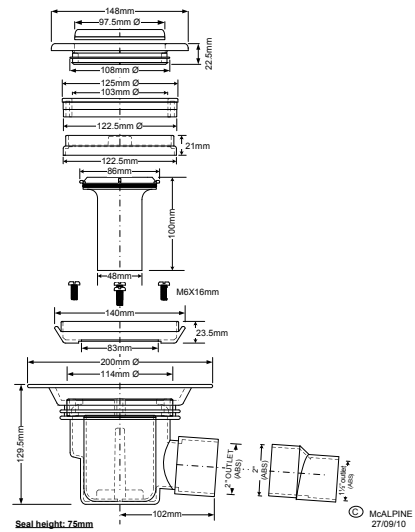
Code: **HC2650UK**  
113mm high 1 1/2" Bath Trap with Overflow & Clicker Waste Plug & 50mm Seal





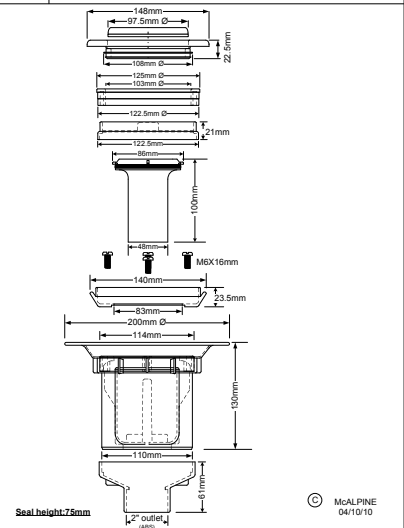
**TSG1-T150SS**  
Easy clean waste/trap for  
tiled floors  
Side outlet - 50/40mm

Code: **TSG1-T150SS**



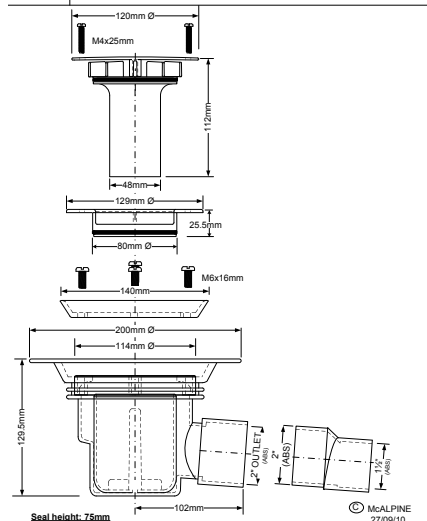
**TSG2-T150SS**  
Easy clean waste/trap for  
tiled floors  
Bottom outlet - 50mm

Code: **TSG2-T150SS**



**TSG1SS**  
Easy clean waste/trap for  
vinyl floors  
Side outlet

Code: **TSG1SS**

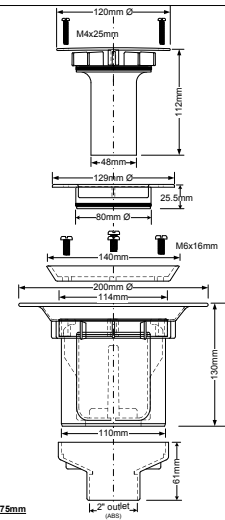




**TSG2SS**  
Easy clean waste/trap for  
vinyl floors  
Bottom outlet

Code:

**TSG2SS**



Seal height: 76mm

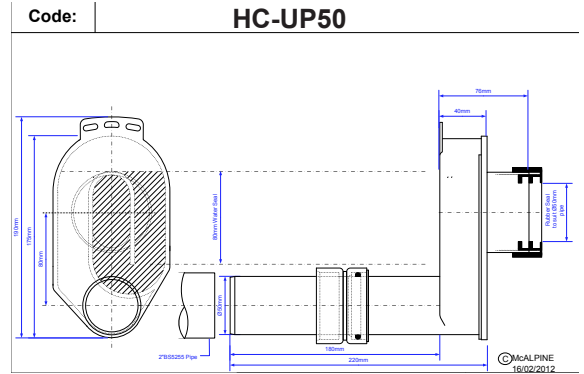
© McALPINE  
28/09/10



## Urinal Trap



**HC-UP50**  
50mm urinal trap



## Concealed Cisterns



**WC-CON2BL**  
WC waste pipe 90mm black



**FP45R**  
Flush pipe extension and pan seal for in-wall cisterns

Product Code - WDU-4ASNZ

# Perfect Grind® Waste Disposal Unit

An environmentally sound solution to the growing problem of food waste



- 25% more torque than other brands provides more grinding power
- Unique permanent magnet motor produces higher RPM (revolutions per minute) than AC (Alternating Current) induction motors
- Corrosion proof cast stainless steel impellers on all models
- 180° dual swivel anti-jam impellers prevent jamming
- High efficiency performance saves time, water and energy
- Motor incorporates sound eliminating insulation technology for quiet operation
- Bioguard antimicrobial eliminates bacteria and odours
- Power cord included
- Supplied with 90° Bend x 40mm BSP thread for connection to trap



*The plumbers' first choice. The market leader in plumbing products*

# Perfect Grind® Waste Disposal Unit



## Perfect Grinding System

Perfect Grind® System can efficiently grind the toughest bones faster and finer than other brands and is safe for any properly sized septic system. Wear resistant and corrosion proof.

- Stainless steel, high precision, high speed dynamic balanced grinding turntable
- Stainless steel grinding rings
- Stainless steel, dual swivel anti-jam impellers prevent jamming
- Specially designed large opening, round holes and arch cutters



## Product Code - WDU-4ASNZ

**WDU-4ASNZ** - Perfect Grind® continuous feed 1 1/4 HP Food Waste Disposer

Level	Entry
HP - RPM	1 1/4 HP - 2500 RPM
Warranty	10 Years
Fixing System	3 Bolt Mount
Grinding System	Stainless Steel
Switch	Wall Switch

**Product Code - WDU-4ASNZ**  
Perfect Grind® continuous feed  
1 1/4 Hp Food Waster Disposer  
includes Air Switch



Includes Air Switch



## Corrosion Proof Grinding Chamber

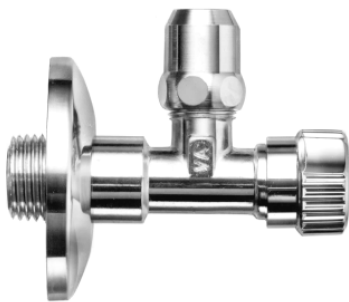
Grind chamber is constructed with the proven durability of glass filled nylon for lasting performance and is treated with BioGuard Antimicrobial Odour Protection.



*The plumbers' first choice. The market leader in plumbing products*



**L143481**  
15mm x 10mm Linea filter angle  
valve



**C406281**  
15mm x 10mm angle valve



**C498694**  
15mm x 15mm angle valve



**D100281**  
15mm x 10mm female angle  
valve

**D100181**  
15mm x 15mm female angle  
valve



**R50131**  
15mm x 57mm wall flange



**L02083**  
15mm x 15mm Linea shower elbow




**G02510SD**  
15mm x 10mm  
chrome plated  
M + F reducing coupler



**D902285**  
Washing machine double spindle valve  
15mm x 20mm & 10mm outlets



**IO4230**  
Floor Tube  
32 x 220 x 680mm



**M04134**  
Albertoni Flexible  
Chrome Waste pipe  
32 x 300mm



**I-Bracket**  
Inwall support bracket  
for Hansgrohe  
lbox shower/bath mixer body  
incl nuts/bolts  
90mm



**I-Bracket-70**  
Inwall support bracket  
for Hansgrohe  
lbox shower/bath mixer body  
incl nuts/bolts  
75mm



**14095000**  
Hansgrohe ball mixer cartridge  
-basin/sink

**14096000**  
Hansgrohe ball mixer cartridge  
-shower/bath



**92730000**  
Hansgrohe M2 cartridge  
-ceramic disc



**13952000**  
Hansgrohe ball mixer service set



**56373000**  
Hansgrohe bath trap



**55237000**  
Hansgrohe 32mm  
bidet trap



**53428000**  
Hansgrohe 32x300mm  
tube CP

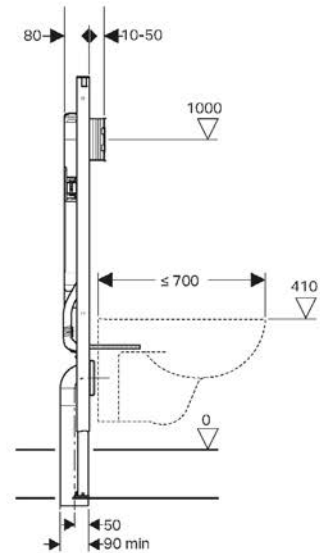
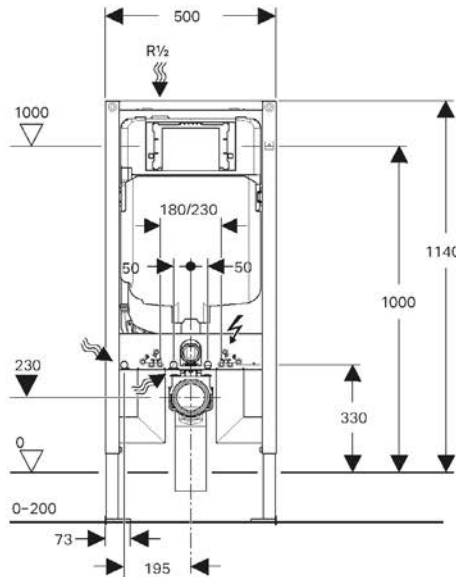


# Geberit Concealed Cisterns



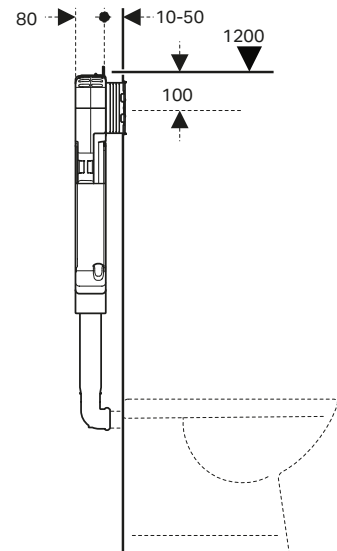
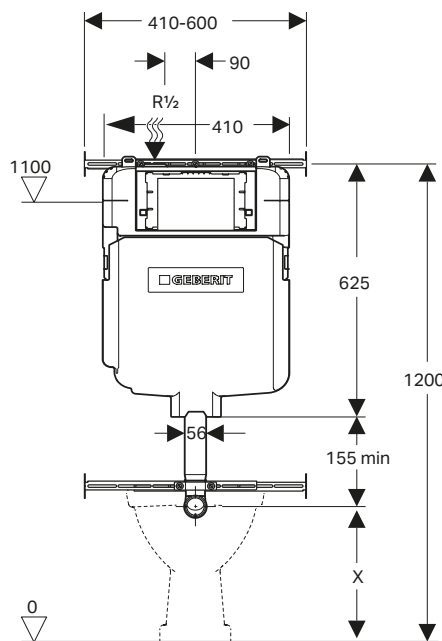
**Sigma8 Duofix Concealed with frame**  
**WH Cistern 4 Star**  
**111.697.00.1 (6/3L)**

\*For buttons for concealed systems, please contact Flow Imports



**Sigma8 Concealed Cistern**  
**BTW Cistern 4 Star**  
**109.794.00.1 (6/3L)**

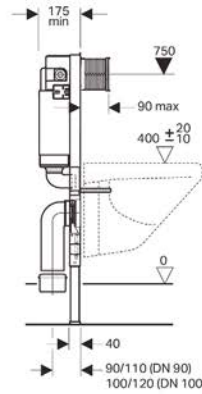
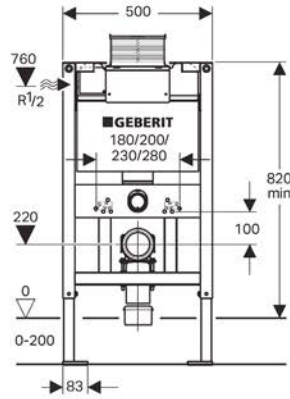
\*For buttons for concealed systems, please contact Flow Imports



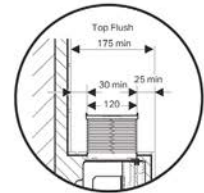
# Geberit Concealed Cisterns



**Kappa Duofix Counter  
Concealed Cistern**  
4 Star 111.263.00.1



\*Separate service access required with pneumatic buttons:



\*For buttons for concealed systems, please contact Flow Imports



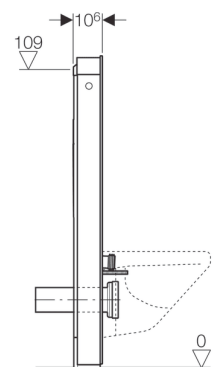
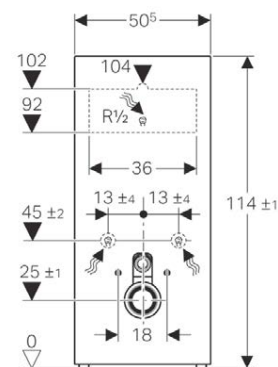
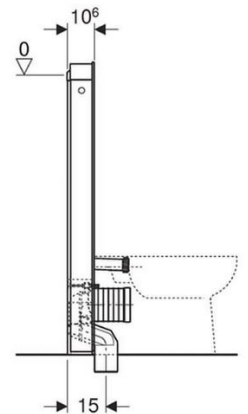
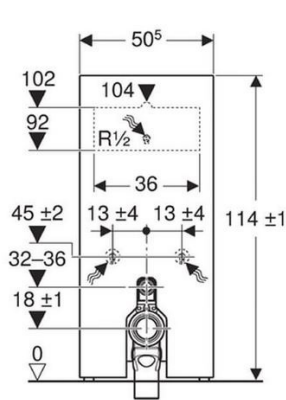
**Geberit Monolith  
Sanitary Module for  
Wall-Hung and  
Floor-Standing WC Pans**

**131.033.SJ.5 – Black Glass - Module for floor-standing pan**

**131.033.SI.5 – White Glass - Module for floor-standing pan**

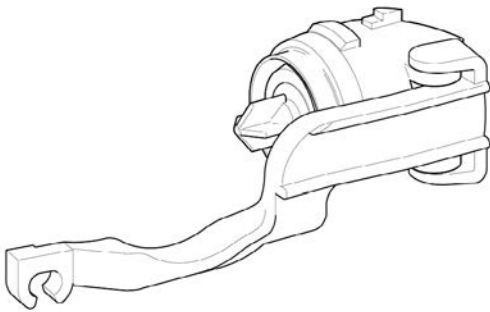
**131.031.SJ.5 – Black Glass - Module for wall-hung pan**

**131.031.SI.5 – White Glass - Module for wall-hung pan**

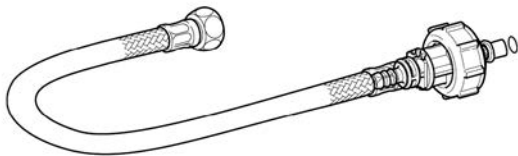




**Impuls380**  
For Close Coupled  
and Concealed Cisterns  
Back or side inlet valve with 3/8"  
nipple short  
222.011.00.1



**Diaphragm and lever**  
170.360.00.1

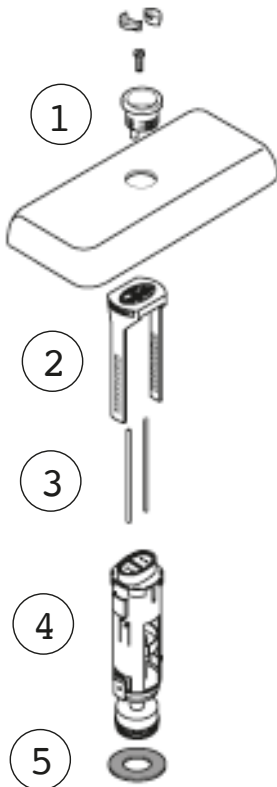


**Rear-entry hose**  
(L=300mm) with  
3/8" female nut - 240.989.00.1

## Outlet Valve



**Impuls250 Outlet for Close Coupled and Linked Cisterns**  
 Outlet valve for cisterns with flush pipes  
 225.112.00.1



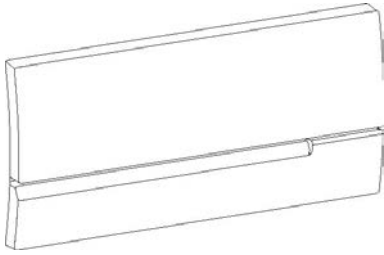
Pos.	Description	Art. No.
1	Impuls250 actuator complete; satin/chrome	240.275.00.1
2	Cistern lid bracket	170.350.00.1
3	Set of actuator rods	170.351.00.1
4	Outlet valve mechanism including seal	225.112.00.1
5	Outlet valve seal, silicone	816.418.00.1



**Geberit Sigma 80**  
 Outlet valve  
 241.290.00.1



**Geberit Twinline UP170**  
 Dual Flush  
 In-wall cistern Dual flush valve  
 240.502.00.01



**Wisa 2000**  
Front or top flush  
(Contact Flow Imports  
for spare parts)



**Wisa 2100**  
Front flush  
(Contact Flow Imports  
for spare parts)



**Wisa 2102**  
Top flush  
(Contact Flow Imports  
for spare parts)



**Wisa 2100**  
Dual flush - white  
(Contact Flow Imports  
for spare parts)

# Made in Britain

All our traps are Made in Britain.  
Quality Guaranteed.



**McAlpine Flexible Connections**  
offer **maximum flexibility** where  
it is needed.

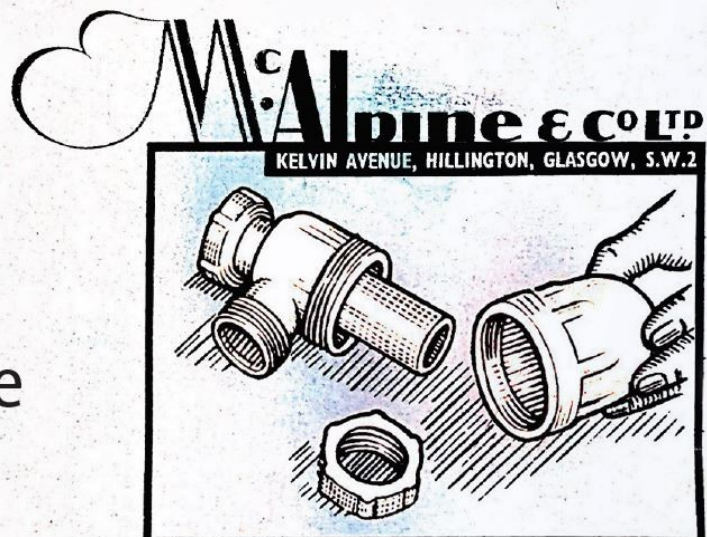


- use to solve problems where flexibility is needed
- Manufactured in high quality Polypropylene
- Plain spigot suitable for Solvent Welding to pipe BS EN 1329-1:2000



**McALPINE**  
Plumbing Products

Manufacturing  
**plastic** traps in the  
UK **since 1957**





# flow

PLUMBING IMPORTS LTD



 **GEBERIT**

**hansgrohe**



24A Morrin Rd, Panmure, Auckland, New Zealand.  
PO Box 14063, Panmure, Auckland 1741.  
Ph:(09) 527 0037

**0800 Hansgrohe**

[www.flowimports.co.nz](http://www.flowimports.co.nz)